

# EPSILON ECHOS

Air/water cooled chillers and heat pumps 6÷41



## General

An extensive and complete range composed of twelve models, conceived and developed for providing the maximum comfort and the highest levels of environmental well-being.

## Configurations

HP: Reversible heat pump

LE: For connection to remote evaporator

DK: With fan, possibility for duct connection (see specific documentation)

LN: Low sound level

Optional pump-/tank module

## Quick facts

- ▶ Eco-friendly cooling
- ▶ Long-lasting reliability
- ▶ Extremely quiet operation
- ▶ Compact dimensions
- ▶ High performance at any temperature
- ▶ Efficient energy performance
- ▶ Fast and quick installation



## INDEX

Technical Features	3
Versions	4
Standard Equipment	4
Accessories	4
EPSILON ECHOS - Technical Data	8
EPSILON ECHOS - Electrical Data	10
EPSILON ECHOS - Cooling Capacity	11
EPSILON ECHOS /HP - Heating Capacity	14
EPSILON ECHOS /LE - Cooling Capacity	16
EPSILON ECHOS /LE /HP - Heating Capacity	18
Noise Levels - EPSILON ECHOS	20
Noise Levels - EPSILON ECHOS /SLN	20
Dimensional Drawing	21
Installations Recommendations Location	33
Electrical Connections	33
Hydraulic Connections	33
Start Up And Maintenance Operations	33

## TECHNICAL FEATURES

### EPSILON ECHOS water chiller

Air/water cooled water chillers and heat pumps with axial fans.

### EPSILON ECHOS\LE

Motocondensing and reversible motocondensing units with axial fans.

### STRUCTURE

Made in galvanised steel sheet and painted at 180 °C with RAL 7035 polyester powder, which ensures high weather resistance.

The panels can easily be removed to provide full access to internal parts.

### COMPRESSOR

The sizes 6 and 8 are equipped with rotary vane compressors, complete with thermal protection inside the electric engine and rubber anti-vibration mounts.

The sizes 10 and 41 are hermetic scroll type, complete with thermal protection inside the electric engine and rubber anti-vibration mounts.

### CONDENSER

The condenser is composed of an aluminium-finned copper-tube multi-row coil, of high efficiency.

The finned coil pack is protected by a metal mesh.

### FANS

Helical fans coupled directly to the 6-pole electric motor with external rotor, IP 54 degree of protection.

Each fan has shaped nozzles and is fitted with protection grille in compliance with UNI EN 294.

### EVAPORATOR (For EPSILON ECHOS only)

Plate type heat exchanger in AISI 316 stainless steel covered with closed-cell foam.

The heat exchanger is fitted with temperature probe for anti-freeze protection and vane operated flow switch supplied as standard.

### COOLING CIRCUIT

#### BASIC VERSION

Comprises: feeding plug on fluid and suction line, fluid sight glass, dehydrating filter, thermostatic expansion valve for pressure external control, pressure transducer, high and low pressure switches and safety valve (except for sizes 6, 8, 10).

#### \LE VERSION

Comprises: feeding plug on fluid and suction line, fluid sight glass, dehydrating filter, pressure transducer, high and low pressure switches and safety valve (except for sizes 6, 8, 10).

### ELECTRICAL PANEL

With main disconnect switch, breakers for auxiliary and main power circuit protection, remote disconnect switch for compressors. The unit is controlled via microprocessor with display of the main functions.

The electrical panel consists of:

- Automatic disconnect switch for the main and auxiliary power circuits (sizes 6 and 10);
- Main disconnect switch and fuses for main and auxiliary power circuit protection (sizes 14 to 41);
- Compressor remote switches;
- Regulator of fan turns for condensate control;
- Pump relay and remote disconnect switch (sizes from 16 to 34, versions ST1P -ST1PS);
- General alarm dry contacts;
- Microprocessor to control the following functions:
  - Control of ingoing water temperature
  - Anti-freeze protection;
  - Compressor operation timers;
  - Control of high pressure pre-alarm (to avoid in many cases the unit blockage);
  - Alarm signals;
  - Alarm reset;
  - Self-adjusting control to provide proper operation when the plant water content is low;
  - External ON-OFF digital input;
- Display of:
  - Outgoing water temperature;
  - Condensation temperature;
  - Currently set temperature and differential;
  - Alarm description;
  - Hour counter for compressor and pump operation;

### CONTROL AND SAFETY DEVICES

- Cooled water temperature control probe (on evaporator intake);
- Anti-freeze probe on evaporator outtake which activates the anti-freeze alarm (with limited trip automatic reset);
- Manual reset high pressure controller;
- Low pressure controller (with limited trip automatic reset);
- Vane actuated mechanical flow switch (supplied as standard);
- Condensing pressure controlled by operation circuit regulator with low external temperatures;
- High pressure safety valve (except for sizes 6, 8, 10);
- Compressor overtemperature protection.

### TESTING

#### BASIC VERSION

The units are factory-tested and supplied complete with oil and refrigerant.

#### \LE VERSION

The units are factory-tested and supplied with the cooling circuit complete with nitrogen.

## VERSIONS

### /DC:

#### Unit with recovery condenser

The condenser is brazed plate type.

The recovery enablement occurs automatically depending on the

water temperature; the safety disablement

of the recovery, in case of high pressure, is also automatically controlled.

It is not available for the HP version.

### /HP:

#### Reversible heat pump

In addition to the basic version components, the unit comprises:

4-way reversing valve, fluid collector, check valves, a second thermostatic valve.

Enablement via microprocessor of the following: summer/winter mode switch, automatic defrosting, digital input for summer/winter mode remote switch.

### /LE /HP:

#### Reversible motocondensing unit (heat pump)

In addition to the basic version components, the unit comprises:

4-way reversing valve, fluid collector, check valves, thermostatic valve.

Enablement via microprocessor of the following: summer/winter mode switch, automatic defrosting, digital input for summer/winter mode remote switch.

### /SLN:

#### Super Low Noise unit

**Unit is comprised of an oversized condensing coil and low speed fans with subsequent reduction of noise level.**

## HYDRAULIC SYSTEM OPTIONS

### /ST 1P:

#### Unit with pump

The unit consists of one circulator (sizes from 6 to 18) or a circulation pump (sizes from 20 to 41), expansion vessel, hydraulic circuit water discharge valve, safety valve calibrated at 6 bar, value corresponding to the maximum allowed operation pressure.

### /ST 1PS:

#### Unit with pump and tank

In addition to the /ST 1P version components, the unit has an insulated storage tank.

## STANDARD EQUIPMENT

- Main switch
- Compressor fuses
- Hour meter
- Coil protection guard
- Microprocessor control
- Condensing pressure control with fan speed control
- Self-adaptable control logic
- Flow switch (equipped as standard)
- Certification to directive 97/23 EEC (PED)
- Summer/Winter selection from digital input (enabled by customer from the control device)
- Remote On/Off control from standard-supply digital input
- Condensate drain pan (standard for models 6 to 18)
- Phase monitor

## ACCESSORIES

### REFRIGERANT CIRCUIT ACCESSORIES

- Liquid line valve
- Liquid line solenoid valve
- Electronic expansion valve
- Brine Kit

### HYDRAULIC CIRCUIT ACCESSORIES

- Automatic filling kit with pressure gauge (for ST 1P-1PS version)
- No-frost heater (version ST excluded)
- No-frost heater (for ST 1P version)
- No-frost heater (for ST 1PS version)
- Integration heaters (for HP/ST 1PS version)
- Electronic modulation of the water flow

### ELECTRICAL ACCESSORIES

- Power supply: 230/1/50
- Power supply: 400/3/50+N
- RS485 serial interface
- Remote control terminal
- Single voltage-free operating contacts
- User interface
- Electronic soft-starter
- Set point compensated according to external air temperature

### VARIOUS ACCESSORIES

- Rubber antivibration mounts (for basic - ST 1P version)
- Rubber antivibration mounts (for ST 1PS version)
- Pre-painted aluminium condensing coil
- Condensing coil treated with anti-corrosion paint
- Packing in wooden crate
- Condensate drain pan
- Vaschetta raccogli condensa

### “BRINE KIT”ACCESSORY

It is applied if the evaporator output temperature is included within +3°C and -8°C. It consists in a higher thermal insulation of the exchanger and piping, a specific calibration of the low pressure switches and of the anti-freeze alarm, and dimensioning check of the mechanical thermostatic valve.

If it is not included in the set-up, the “Check condensation” accessory must be added.

### ELECTRONIC THERMOSTATIC VALVE

L'utilizzo di questo accessorio è particolarmente indicato sulle unità che si trovano ad operare in condizioni di carico termico molto variabile o di modalità di funzionamento variabili, come nel caso della gestione congiunta di condizionamento e produzione di acqua ad alta temperatura. L'impiego della valvola termostatica elettronica infatti permette di:

- massimizzare lo scambio termico all'evaporatore
- minimizzare i tempi di risposta alle variazioni del carico e di condizioni operative
- ottimizzare la regolazione del surriscaldamento
- garantire la massima efficienza energetica

### PRESSOSTATIC CONDENSATION/EVAPORATION CONTROL WITH FAN REV. REGULATOR

The unit microprocessor control verifies all its functioning parameters and carries out a continuous fan speed adjustment by means of a fan rev. regulator, in order to optimise the operative conditions and the unit efficiency.

Moreover, this adjustment has a sound level reduction effect on the unit. In fact, the typical conditions where the control will modulate the fan speed are at night and mid-seasons. This means that every time there is a chance, the machine will reduce the fan speed and also its sound level to its minimum.

### SELF-ADAPTABLE REGULATION LOGIC

This function allows the unit control to dynamically vary the outlet water set point according to the stop and functional cycles of the machine: in practice, by increasing and reducing the water outlet temperature, the control avoids that compressor start-ups are too close in time, decreasing the number of peaks and protecting the unit components

### REMOTE ON/OFF FROM DIGITAL INPUT

This function is standard on all units and consists in a remote contact that allows to switch on and off the machine through a signal that can be taken inside the building by a BMS (Building Management System) system.

### SUMMER/WINTER SELECTION FROM DIGITAL INPUT

This function is standard on all heat pumps. When the unit is switched on, a functioning mode must be set, which can be either the heat pump or the chiller one. Through this remote contact, the functioning mode can be modified even inside the building and without a direct access to the microprocessor control.

### FILLING SYSTEM WITH MANOMETER

This accessory allows the automatic load of the hydraulic system, the adjustment of the correct working pressure, which can always be verified by using the manometer, and enables the continuous maintenance of such pressure, reintegrating the missing water if necessary.

### RS-485 INTERFACE

The growing diffusion of both domotic and BMS (Building Management System) systems led to the integration of all the system components under an only supervision. To respond to this request, the unit can be equipped with a serial board that allows the correct machine integration in the “building-system”, by using MODBUS or CAREL communication protocols..

### REMOTE CONTROL USER TERMINAL

Intended for a professional user, it consists in a faithful reproduction of the control panel, from where the unit can be completely set and all its parameters visualised on the display. Insertion of passwords, which enable different access levels, are required to access the parameters.

The type of terminal depends on the control installed on the unit

### USER INTERFACE µAD

By using a simple and intuitive interface, this device allows to carry out the following main functions:

- Switching on and off the unit
- The unit function mode switch-over from heat pump to chiller and vice versa
- Enabling the sleep function
- The weekly timer thermostat function with automatic ON/OFF management of the unit
- Displaying unit functioning conditions

### SOFT-STARTER

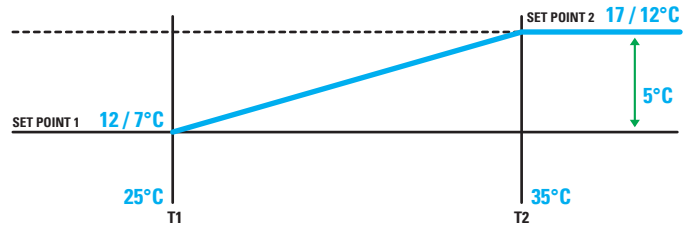
Blue Box units adopt all the required functioning set-ups and logics to minimise peak currents. The Soft-Starter accessory allows a further 40% reduction of normal current peaks, through an electronic control of the electric motor start-up.

### COMPENSATION OF THE SET-POINT according to the external air temperature

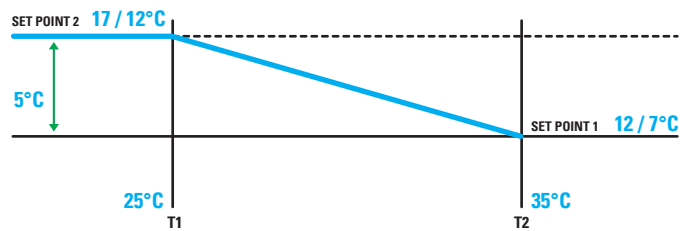
The unit microprocessor control can compensate the set point in a dynamic way, on variation of the external air temperature. The compensation can be positive or negative: with positive compensation, on increase of the air temperature the functioning set also increases. With negative compensation on increase of the air temperature the set decreases. Compensation can be made either on the summer set point or on the winter set point (heat pumps).

By default, both summer and winter negative compensation is set, but this configuration can be modified from the microprocessor keyboard. Unless otherwise specified, default values are indicated in the graphics below.

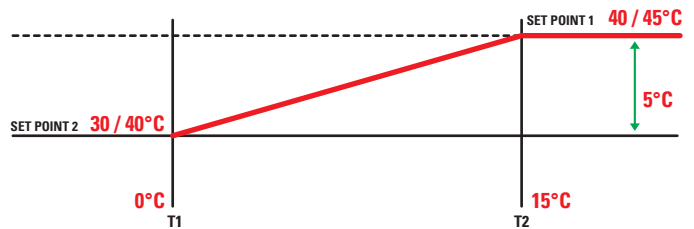
#### SUMMER COMPENSATION - POSITIVE



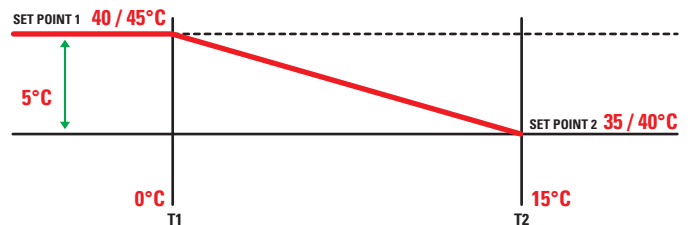
#### SUMMER COMPENSATION - NEGATIVE



#### WINTER COMPENSATION - POSITIVE



#### WINTER COMPENSATION - NEGATIVE





## EPSILON ECHOS - TECHNICAL DATA

UNIT SIZE			6	8	10	14	16	18	21	25	28	31	37	41
<b>Cooling (Gross values)</b>														
Nominal cooling capacity	(1)	kW	5,7	7,1	8,8	13,0	14,9	17,7	19,0	23,7	27,1	30,2	35,6	40,1
Total power input for cooling	(1),(2)	kW	2,1	2,8	3,5	4,6	5,6	6,5	6,2	8,3	9,6	10,7	12,1	13,6
EER	(1)		2,76	2,54	2,48	2,81	2,66	2,73	3,09	2,85	2,84	2,83	2,94	2,94
ESEER			3,31	3,12	2,93	3,29	3,16	3,26	3,64	3,29	3,29	3,25	3,37	3,39
Efficiency class			C	D	E	C	D	C	B	C	C	C	B	B
<b>Cooling (EN 14511 values)</b>														
Nominal cooling capacity	(1),(8)	kW	5,7	7,0	8,8	12,8	14,7	17,6	18,9	23,4	26,9	30,0	35,3	39,7
EER	(1),(8)		2,73	2,51	2,46	2,70	2,56	2,64	3,00	2,75	2,75	2,75	2,85	2,85
ESEER	(8)		3,11	2,93	2,75	2,96	2,84	2,93	3,21	2,96	2,96	2,93	3,04	3,02
Efficiency class			C	D	E	D	D	D	B	C	C	C	C	C
<b>Heating (Gross values)</b>														
Nominal heating capacity	(3)	kW	6,5	8,0	10,0	14,1	16,4	19,5	20,5	26,3	30,5	33,5	38,1	43,6
Total power input for heating	(2),(3)	kW	2,3	2,8	3,5	4,7	5,5	6,4	6,4	8,0	9,2	10,6	11,9	13,5
COP	(3)		2,81	2,86	2,88	3,03	2,97	3,04	3,19	3,26	3,33	3,17	3,21	3,24
Efficiency class			C	C	C	B	C	B	B	A	A	B	A	A
<b>Heating (EN 14511 values)</b>														
Nominal heating capacity	(3),(8)	kW	6,5	8,1	10,1	14,2	16,6	19,7	20,7	26,5	30,7	33,8	38,4	43,9
COP	(3),(8)		2,80	2,84	2,86	2,97	2,92	2,99	3,14	3,20	3,27	3,12	3,15	3,18
Efficiency class			D	C	C	C	C	C	B	A	A	B	B	B
<b>Compressors</b>														
Quantity/Refrigerant circuits		n°/n°	1 / 1	1 / 1	1 / 1	1 / 1	1 / 1	1 / 1	1 / 1	1 / 1	1 / 1	1 / 1	1 / 1	1 / 1
Capacity steps		%	0-100	0-100	0-100	0-100	0-100	0-100	0-100	0-100	0-100	0-100	0-100	0-100
<b>Fans</b>														
Quantity		n°	1	1	1	2	2	2	2	2	2	2	2	2
Air flow		m <sup>3</sup> /h	4.000	4.000	3.800	8.000	8.000	7.600	14.000	14.000	13.200	19.000	19.000	17.800
<b>Evaporator</b>														
Water flow rate		l/h	982	1.214	1.512	2.229	2.557	3.047	3.273	4.067	4.666	5.192	6.119	6.889
Pressure drop		kPa	5	7	6	46	46	46	32	47	46	44	45	56
<b>Hydraulic module</b>														
Available pump pressure		kPa	55	51	50	44	42	40	153	108	93	76	135	104
Storage tank capacity		l	70	70	70	70	70	70	140	140	140	140	140	140
<b>Sound level</b>														
Sound power value (standard unit)	(4)	dB(A)	65	67	68	70	72	75	76	76	76	76	77	77
Sound pressure value (standard unit)	(5)	dB(A)	34	36	37	39	41	44	45	45	45	45	46	46
Sound power value (SLN version)	(4)	dB(A)	58	60	62	63	65	66	67	68	68	69	70	-
Sound pressure value (SLN version)	(5)	dB(A)	27	29	31	32	34	35	36	37	37	37	38	-

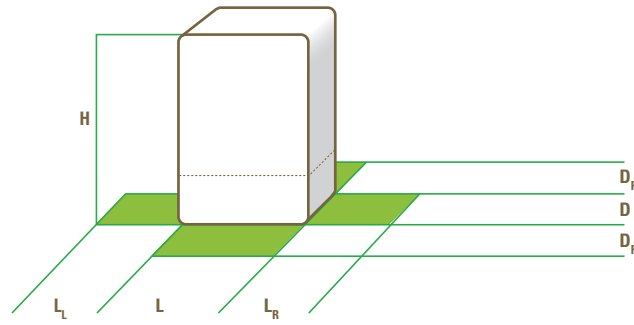
1) External air temperature 35°C; evaporator ingoing-outgoing water temperature 12-7°C  
 2) The total capacity is represented by the sum of the power absorbed by compressors and that absorbed by fans  
 3) External air temperature 7°C BS, 6°C BU; condenser ingoing-outgoing water temperature 40-45 °C  
 4) Noise power levels measured according to ISO 3744, under nominal operating conditions

5) Sound pressure levels measured at 10 metres from the unit in free field under nominal operating conditions, according to ISO 3744  
 6) Values according to EN 14511-3:2011

The values and pictures reported in the document are purely indicative and can be modified by the Manufacturer without any prior notice. For further information refer to the specific documentation. The reproduction, even partial, is strictly prohibited.



## EPSILON ECHOS - TECHNICAL DATA



BASIC VERSION E ST1P				6	8	10	14	16	18	21	25	28	31	37	41
L	Length		mm	925			925			1.105			1.305		
D	Depth		mm	375			375			505			505		
H	Height		mm	700			1.350			1.385			1.585		
W	Operating weight	(1)	kg	74	82	89	118	135	147	178	190	224	324	326	337

VERSION ST1PS				6	8	10	14	16	18	21	25	28	31	37	41
L	Length		mm	925			925			1.105			1.305		
D	Depth		mm	375			375			505			505		
H	Height		mm	1.049			1.699			1.850			2.050		
W	Operating weight	(1)	kg	123	131	138	183	200	212	312	318	332	417	424	435

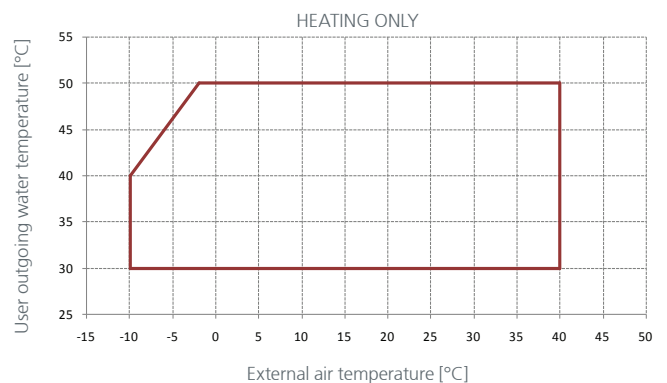
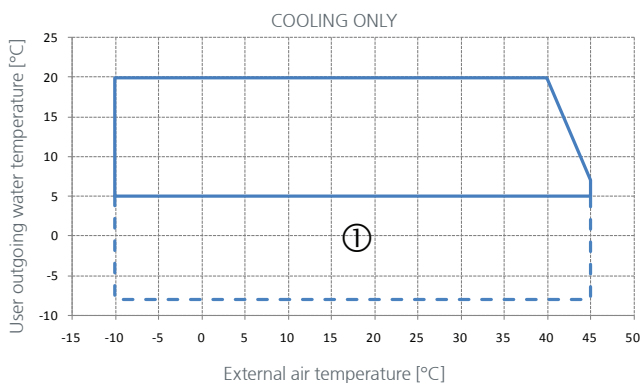
VERSION SLN AND SLN/ST1P				6	8	10	14	16	18	21	25	28	31	37	
L	Length		mm	925			925			1.105			1.305		
D	Depth		mm	375			375			505			505		
H	Height		mm	700			1.350			1.385			1.585		
W	Operating weight	(1)	kg	74	82	119	118	135	178	178	190	322	324	326	

VERSION SLN/ST1PS				6	8	10	14	16	18	21	25	28	31	37	
L	Length		mm	925			925			1.105			1.305		
D	Depth		mm	375			375			505			505		
H	Height		mm	1.049			1.699			1.850			2.050		
W	Operating weight	(1)	kg	123	131	182	183	200	310	306	298	415	417	424	

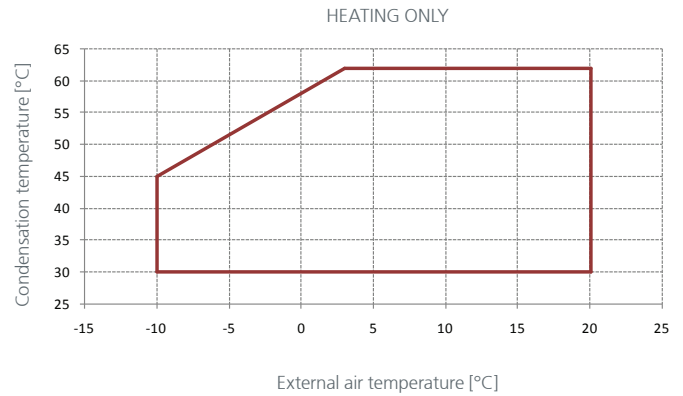
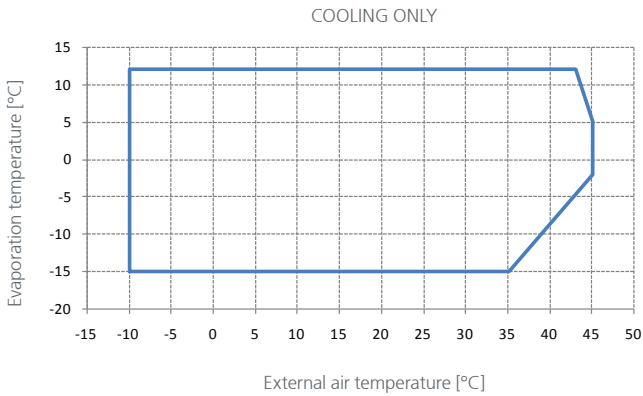
CLEARANCE AREAS				6	8	10	14	16	18	21	25	28	31	37	41
LL	Left side	(2)	mm	300			300			300			300		
LR	Right side	(2)	mm	600			600			600			600		
DF	Front	(2)	mm	900			900			900			900		
DR	Back	(2)	mm	300			300			300			300		

(1)The reported weight is only indicative and may be different depending on unit outfit

(2)The clearance areas are reported considering as front side the side with the fans



The heat exchanger on the user side must have a thermal expansion leap between 4°C and 7°C  
 ① the unit can operate within these values only with glycol/ water mixture on the evaporator side



### EPSILON ECHOS - ELECTRICAL DATA

BASIC VERSION			6	8	10	14	16	18	21	25	28	31	37	41
Maximum absorbed power	(1)	kW	3.1	3.9	5.0	6.6	8.0	9.3	9.5	11.6	13.1	15.1	16.7	18.7
Maximum absorbed current	(2)	A	16.8	19.8	9.1	11.9	14.1	16.4	18.3	21.5	24.4	28.0	40.0	41.0
Maximum input current	(3)	A	61	82	67	67	68	74	76	99	99	101	163	165
Maximum input current with soft-starter (option)	(3)	A	3	49	40	40	41	44	45	59	59	60	97	99
Additional electric resistance (optional)	(4)	kW	3.0	3.0	3.0	6.0	6.0	6.0	6.0	6.0	6.0	9.0	9.0	9.0

VERSION ST1P OR ST1PS			6	8	10	14	16	18	21	25	28	31	37	41
Maximum absorbed power	(1)	kW	3.3	4.1	5.2	6.8	8.2	9.5	10.0	12.1	13.6	15.6	17.6	19.6
Maximum absorbed current	(2)	A	17.7	20.7	10.0	13.1	15.3	17.6	21.1	24.3	27.2	30.8	42.6	43.6
Maximum input current	(3)	A	62	83	68	68	69	75	79	102	102	103	165	167
Maximum input current with soft-starter (option)	(3)	A	37	50	41	41	41	45	47	61	61	62	99	100
Additional electric resistance (optional)	(4)	kW	3.0	3.0	3.0	6.0	6.0	6.0	6.0	6.0	6.0	9.0	9.0	9.0

POWER SUPPLY			6	8	10	14	16	18	21	25	28	31	37	41
Standard power supply		V~Hz	230/1~/50			400/3N~/50								
Optional power supply	(4)	V~Hz	400/3N~/50		230/1~/50									

All reported data refer to unit with standard power supply.

(1)Electrical power that must be supplied by the mains to power the unit

(2)Tripping current of unit internal breakers. This value is never exceeded and must be used to size the line and its protections (refer to the electric diagram supplied with the unit)

(3)Maximum input current calculated considering the compressor start and the maximum current absorbed by all other devices

(4)To be requested when ordering

The values and pictures reported in the document are purely indicative and can be modified by the Manufacturer without any prior notice. For further information refer to the specific documentation. The reproduction, even partial, is strictly prohibited.

## EPSILON ECHOS - COOLING CAPACITY

Model	To	EXTERNAL AIR TEMPERATURE [°C]									
	[°C]	25		30		35		40		45	
		Pf	Pe	Pf	Pe	Pf	Pe	Pf	Pe	Pf	Pe
6	5	6,1	1,4	5,8	1,6	5,5	1,9	5,1	2,1	4,9	2,3
	6	6,3	1,5	6,0	1,7	5,6	1,9	5,3	2,1	5,0	2,3
	7	6,5	1,5	6,1	1,7	5,8	1,9	5,4	2,1	5,2	2,3
	8	6,7	1,5	6,3	1,7	6,0	1,9	5,6	2,1	-	-
	9	6,9	1,5	6,5	1,7	6,1	1,9	5,7	2,1	-	-
	10	7,1	1,5	6,7	1,7	6,3	1,9	5,9	2,1	-	-
	13	7,7	1,5	7,3	1,7	6,9	1,9	6,4	2,2	-	-
	14	7,9	1,5	7,5	1,7	7,1	1,9	6,6	2,2	-	-
	15	8,1	1,5	7,7	1,7	7,2	1,9	6,8	2,2	-	-
	16	8,4	1,5	7,9	1,7	7,4	1,9	7,0	2,2	-	-
8	5	7,6	2,0	7,2	2,3	6,7	2,6	6,3	2,9	6,0	3,2
	6	7,8	2,0	7,4	2,3	6,9	2,6	6,4	3,0	6,1	3,2
	7	8,0	2,0	7,6	2,3	7,1	2,6	6,6	3,0	6,3	3,2
	8	8,3	2,0	7,8	2,3	7,3	2,6	6,8	3,0	-	-
	9	8,5	2,0	8,0	2,3	7,5	2,6	7,0	3,0	-	-
	10	8,7	2,0	8,2	2,3	7,7	2,6	7,2	3,0	-	-
	13	9,4	2,0	8,9	2,3	8,3	2,6	7,7	3,0	-	-
	14	9,7	2,0	9,1	2,3	8,5	2,6	7,9	3,0	-	-
	15	9,9	2,1	9,4	2,3	8,8	2,7	8,1	3,0	-	-
	16	10,2	2,1	9,6	2,4	9,0	2,7	8,3	3,0	-	-
10	5	9,4	2,7	8,8	3,0	8,2	3,3	7,7	3,7	7,3	3,9
	6	9,7	2,7	9,1	3,0	8,5	3,3	7,9	3,7	7,6	4,0
	7	10,1	2,7	9,4	3,0	8,8	3,3	8,2	3,7	7,8	4,0
	8	10,4	2,7	9,7	3,0	9,1	3,4	8,5	3,7	-	-
	9	10,7	2,7	10,1	3,0	9,4	3,4	8,8	3,8	-	-
	10	11,1	2,8	10,4	3,1	9,7	3,4	9,0	3,8	-	-
	13	12,2	2,8	11,4	3,1	10,7	3,5	10,0	3,9	-	-
	14	12,5	2,8	11,8	3,1	11,0	3,5	10,3	3,9	-	-
	15	12,9	2,8	12,1	3,1	11,4	3,5	10,6	3,9	-	-
	16	13,3	2,9	12,5	3,2	11,7	3,5	11,0	3,9	-	-
14	5	14,0	3,4	13,0	3,8	12,2	4,2	11,3	4,7	10,8	5,0
	6	14,4	3,4	13,5	3,8	12,6	4,2	11,7	4,7	11,2	5,0
	7	14,8	3,4	13,9	3,8	13,0	4,2	12,1	4,7	11,6	5,0
	8	15,3	3,4	14,3	3,8	13,4	4,2	12,5	4,7	-	-
	9	15,8	3,5	14,8	3,8	13,8	4,3	12,9	4,8	-	-
	10	16,3	3,5	15,2	3,9	14,3	4,3	13,3	4,8	-	-
	13	17,8	3,6	16,7	3,9	15,7	4,4	14,6	4,9	-	-
	14	18,3	3,6	17,2	4,0	16,1	4,4	15,1	4,9	-	-
	15	18,8	3,6	17,7	4,0	16,6	4,5	15,6	5,0	-	-
	16	19,4	3,6	18,3	4,0	17,2	4,5	17,2	4,5	-	-

Pf: cooling capacity [kW]  
 Pe: electrical power absorbed by the compressors [kW]  
 To: evaporator outgoing water temperature [°C]

## EPSILON ECHOS - COOLING CAPACITY

Model	To	EXTERNAL AIR TEMPERATURE [°C]									
	[°C]	25		30		35		40		45	
		Pf	Pe	Pf	Pe	Pf	Pe	Pf	Pe	Pf	Pe
16	5	16,1	4,1	15,0	4,6	14,0	5,1	12,9	5,8	12,3	6,2
	6	16,6	4,2	15,5	4,6	14,4	5,2	13,4	5,8	12,8	6,2
	7	17,1	4,2	16,0	4,7	14,9	5,2	13,8	5,8	13,2	6,2
	8	17,7	4,2	16,5	4,7	15,4	5,2	14,3	5,9	-	-
	9	18,2	4,2	17,0	4,7	15,8	5,3	14,7	5,9	-	-
	10	18,8	4,3	17,5	4,8	16,3	5,3	15,2	5,9	-	-
	13	20,5	4,4	19,2	4,9	17,9	5,4	16,7	6,1	-	-
	14	21,1	4,4	19,8	4,9	18,5	5,5	17,2	6,1	-	-
	15	21,7	4,5	20,4	5,0	19,0	5,5	17,8	6,2	-	-
	16	22,3	4,5	21,0	5,0	19,6	5,6	19,6	5,6	-	-
18	5	19,2	4,8	17,9	5,4	16,6	6,0	15,4	6,7	14,7	7,2
	6	19,8	4,9	18,5	5,4	17,2	6,0	15,9	6,8	15,2	7,3
	7	20,4	4,9	19,1	5,4	17,7	6,1	16,4	6,8	15,7	7,3
	8	21,1	4,9	19,7	5,5	18,3	6,1	17,0	6,9	-	-
	9	21,7	5,0	20,3	5,5	18,9	6,2	17,5	6,9	-	-
	10	22,4	5,0	20,9	5,6	19,5	6,2	18,1	7,0	-	-
	13	24,4	5,1	22,9	5,7	21,3	6,4	19,9	7,1	-	-
	14	25,1	5,2	23,5	5,7	22,0	6,4	20,5	7,2	-	-
	15	25,8	5,2	24,2	5,8	22,7	6,5	21,1	7,2	-	-
	16	26,6	5,2	25,0	5,8	23,4	6,5	23,4	6,5	-	-
21	5	20,6	4,5	19,2	4,9	17,8	5,5	16,5	6,2	15,8	6,6
	6	21,3	4,5	19,8	5,0	18,4	5,5	17,1	6,2	16,3	6,6
	7	21,9	4,5	20,5	5,0	19,0	5,6	17,7	6,2	16,9	6,7
	8	22,6	4,5	21,1	5,0	19,7	5,6	18,3	6,2	-	-
	9	23,3	4,5	21,8	5,0	20,3	5,6	18,9	6,3	-	-
	10	24,1	4,6	22,5	5,1	21,0	5,6	19,5	6,3	-	-
	13	26,4	4,6	24,7	5,1	23,1	5,7	21,5	6,4	-	-
	14	27,2	4,7	25,5	5,2	23,9	5,8	22,3	6,4	-	-
	15	28,0	4,7	26,3	5,2	24,6	5,8	23,0	6,5	-	-
	16	22,0	6,9	22,0	6,9	22,0	6,9	22,0	6,9	-	-
25	5	24,9	6,2	23,6	6,9	22,3	7,6	21,1	8,5	20,4	9,0
	6	25,6	6,2	24,3	6,9	23,0	7,7	21,8	8,5	21,0	9,1
	7	26,3	6,2	25,0	6,9	23,7	7,7	22,4	8,6	21,6	9,2
	8	27,1	6,3	25,7	7,0	24,3	7,8	23,0	8,7	-	-
	9	27,9	6,3	26,4	7,0	25,0	7,8	23,7	8,7	-	-
	10	28,6	6,4	27,2	7,1	25,7	7,9	24,3	8,8	-	-
	13	31,1	6,5	29,5	7,2	27,9	8,1	26,4	9,0	-	-
	14	31,9	6,6	30,3	7,3	28,7	8,1	27,1	9,1	-	-
	15	32,8	6,6	31,2	7,4	29,5	8,2	27,9	9,1	-	-
	16	33,7	6,7	32,0	7,4	30,3	8,3	30,3	8,3	-	-
17	30,3	8,3	30,3	8,3	30,3	8,3	30,3	8,3	-	-	
18	30,3	8,3	30,3	8,3	30,3	8,3	30,3	8,3	-	-	

Pf: cooling capacity [kW]  
 Pe: electrical power absorbed by the compressors [kW]  
 To: evaporator outgoing water temperature [°C]

## EPSILON ECHOS - COOLING CAPACITY

Model	To	EXTERNAL AIR TEMPERATURE [°C]									
	[°C]	25		30		35		40		45	
		Pf	Pe	Pf	Pe	Pf	Pe	Pf	Pe	Pf	Pe
28	5	28,5	7,2	27,1	7,9	25,6	8,8	24,3	9,8	23,4	10,5
	6	29,4	7,2	27,9	8,0	26,4	8,9	25,0	9,9	24,1	10,6
	7	30,2	7,2	28,7	8,0	27,1	9,0	25,7	10,0	24,8	10,7
	8	31,1	7,3	29,5	8,1	27,9	9,0	26,4	10,1	-	-
	9	31,9	7,3	30,3	8,2	28,7	9,1	27,1	10,1	-	-
	10	32,8	7,4	31,2	8,2	29,5	9,2	27,9	10,2	-	-
	13	35,6	7,6	33,8	8,4	32,0	9,4	30,2	10,5	-	-
	14	36,6	7,6	34,7	8,5	32,9	9,5	31,0	10,5	-	-
	15	37,6	7,7	35,7	8,6	33,8	9,5	31,9	10,6	-	-
	16	38,6	7,8	36,6	8,6	34,7	9,6	34,7	9,6	-	-
31	5	31,7	7,7	30,1	8,5	28,6	9,5	27,0	10,5	26,1	11,2
	6	32,7	7,7	31,0	8,5	29,4	9,5	27,8	10,6	26,9	11,3
	7	33,6	7,7	31,9	8,6	30,3	9,6	28,6	10,7	27,6	11,4
	8	34,6	7,8	32,9	8,6	31,1	9,6	29,4	10,7	-	-
	9	35,6	7,8	33,8	8,7	32,0	9,7	30,3	10,8	-	-
	10	36,6	7,9	34,8	8,8	32,9	9,8	31,1	10,9	-	-
	13	39,8	8,0	37,8	9,0	35,8	10,0	33,8	11,1	-	-
	14	40,9	8,1	38,8	9,0	36,8	10,1	34,7	11,2	-	-
	15	42,0	8,2	39,9	9,1	37,8	10,1	35,7	11,3	-	-
	16	43,2	8,2	41,0	9,2	38,8	10,2	38,8	10,2	-	-
37	5	37,8	8,9	35,8	9,8	33,6	10,8	31,3	12,0	29,8	12,8
	6	38,9	9,0	36,9	9,9	34,6	10,9	32,3	12,1	30,7	12,9
	7	40,1	9,1	38,0	10,0	35,7	11,0	33,2	12,2	31,6	13,0
	8	41,3	9,1	39,1	10,1	36,7	11,1	34,2	12,3	-	-
	9	42,4	9,2	40,2	10,1	37,8	11,2	35,2	12,4	-	-
	10	43,6	9,3	41,3	10,2	38,8	11,3	36,2	12,5	-	-
	13	47,3	9,6	44,8	10,5	42,2	11,6	39,3	12,8	-	-
	14	48,6	9,7	46,1	10,6	43,3	11,7	40,3	12,9	-	-
	15	49,9	9,8	47,3	10,7	44,5	11,8	41,4	13,0	-	-
	16	51,2	9,9	48,5	10,8	45,6	11,9	42,5	13,1	-	-
41	5	42,6	10,1	40,3	11,2	37,8	12,4	35,2	13,7	33,5	14,6
	6	43,9	10,2	41,5	11,3	39,0	12,4	36,3	13,8	34,7	14,7
	7	45,2	10,3	42,8	11,3	40,2	12,5	37,4	13,9	35,7	14,8
	8	46,5	10,3	44,0	11,4	41,4	12,6	38,6	14,0	-	-
	9	47,9	10,4	45,3	11,5	42,6	12,7	39,7	14,1	-	-
	10	49,3	10,5	46,6	11,6	43,8	12,8	40,9	14,2	-	-
	13	53,5	10,8	50,7	11,9	47,7	13,1	44,5	14,5	-	-
	14	54,9	10,9	52,1	12,0	49,0	13,2	45,7	14,6	-	-
	15	56,4	11,0	53,5	12,1	50,3	13,3	47,0	14,7	-	-
	16	57,9	11,1	54,9	12,2	51,7	13,4	48,3	14,8	-	-
17	59,5	11,2	56,4	12,3	53,1	13,5	49,6	15,0	-	-	
18	61,0	11,3	57,8	12,4	54,5	13,7	50,9	15,1	-	-	

Pf: cooling capacity [kW]  
 Pe: electrical power absorbed by the compressors [kW]  
 To: evaporator outgoing water temperature [°C]

## EPSILON ECHOS /HP - HEATING CAPACITY

Model	CONDENSER INGOING/ OUTGOING WATER TEMPERATURE [°C]									
	Ta [°C]	RH %	30/35		35/40		40/45		45/50	
			Pt	Pe	Pt	Pe	Pt	Pe	Pt	Pe
6	-10	95	4,5	1,7	4,6	2,0	--	--	--	--
	-5	90	5,0	1,7	5,1	1,9	5,2	2,2	--	--
	0	90	5,6	1,7	5,7	1,9	5,7	2,2	5,8	2,5
	5	80	6,2	1,6	6,2	1,9	6,2	2,1	6,3	2,4
	8	70	6,5	1,6	6,5	1,9	6,5	2,1	6,5	2,4
	10	70	6,7	1,6	6,7	1,9	6,7	2,1	6,8	2,4
8	-10	95	5,6	2,1	5,7	2,4	--	--	--	--
	-5	90	6,2	2,1	6,3	2,4	6,4	2,7	--	--
	0	90	6,9	2,0	7,0	2,3	7,1	2,7	7,2	3,1
	5	80	7,6	2,0	7,6	2,3	7,7	2,6	7,8	3,0
	8	70	8,0	2,0	8,0	2,3	8,0	2,6	8,1	3,0
	10	70	8,3	2,0	8,3	2,3	8,3	2,6	8,4	3,0
10	-10	95	7,0	1,6	7,0	2,9	--	--	--	--
	-5	90	7,8	2,6	7,8	2,9	7,9	3,3	--	--
	0	90	8,8	2,6	8,8	2,9	8,7	3,3	8,8	3,7
	5	80	9,7	2,7	9,6	3,0	9,6	3,3	9,6	3,7
	8	70	10,2	2,7	10,1	3,0	10,0	3,3	10,1	3,7
	10	70	10,6	2,7	10,5	3,0	10,4	3,3	10,5	3,7
14	-10	95	10,0	3,4	9,9	3,7	--	--	--	--
	-5	90	11,2	3,4	11,1	3,8	11,1	4,2	--	--
	0	90	12,5	3,4	12,4	3,8	12,3	4,2	12,3	4,8
	5	80	13,8	3,4	13,6	3,8	13,5	4,3	13,4	4,8
	8	70	14,5	3,4	14,3	3,8	14,1	4,3	14,0	4,8
	10	70	15,1	3,4	14,8	3,8	14,7	4,3	14,6	4,8
16	-10	95	11,7	4,0	11,6	4,5	--	--	--	--
	-5	90	13,0	4,0	12,9	4,5	13,0	5,1	--	--
	0	90	14,6	4,0	14,4	4,5	14,3	5,1	14,4	5,8
	5	80	16,0	4,1	15,8	4,6	15,7	5,1	15,7	5,8
	8	70	16,8	4,1	16,6	4,6	16,4	5,1	16,4	5,8
	10	70	17,5	4,1	17,2	4,6	17,1	5,1	17,0	5,8
18	-10	95	13,9	4,7	13,7	5,3	--	--	--	--
	-5	90	15,5	4,7	15,3	5,3	15,3	6,0	--	--
	0	90	17,4	4,8	17,1	5,3	17,0	6,0	17,0	6,8
	5	80	19,1	4,8	18,8	5,3	18,6	6,0	18,6	6,8
	8	70	20,1	4,8	19,7	5,4	19,5	6,0	19,4	6,8
	10	70	20,9	4,8	20,5	5,4	20,3	6,0	20,2	6,8

Pt: heating capacity [kW]

Pe: electrical power absorbed by the compressors [kW]

Ta: dry bulb evaporator intake air temperature[°C]

RH : evaporator intake air relative humidity [%]

## EPSILON ECHOS /HP - HEATING CAPACITY

Model	CONDENSER INGOING/ OUTGOING WATER TEMPERATURE [°C]									
	Ta [°C]	RH %	30/35		35/40		40/45		45/50	
			Pt	Pe	Pt	Pe	Pt	Pe	Pt	Pe
21	-10	95	14,7	4,6	14,4	5,2	--	--	--	--
	-5	90	16,4	4,6	16,0	5,2	15,9	5,8	--	--
	0	90	18,4	4,6	18,0	5,2	17,7	5,8	17,6	6,6
	5	80	20,4	4,6	19,9	5,2	19,5	5,8	19,3	6,6
	8	70	21,4	4,7	20,9	5,2	20,5	5,8	20,3	6,6
25	-10	95	19,2	6,9	19,0	7,1	--	--	--	--
	-5	90	21,4	6,6	21,2	7,0	21,1	7,4	--	--
	0	90	23,4	6,4	23,2	6,9	23,1	7,4	23,2	8,1
	5	80	25,4	6,2	25,2	6,8	25,2	7,4	25,2	8,2
	8	70	26,6	6,2	26,4	6,8	26,3	7,4	26,3	8,2
28	-10	95	22,3	7,9	22,0	8,2	--	--	--	--
	-5	90	24,8	7,6	24,5	8,0	24,4	8,6	--	--
	0	90	27,2	7,3	27,0	7,9	26,8	8,5	26,8	9,3
	5	80	29,6	7,2	29,3	7,8	29,2	8,6	29,2	9,4
	8	70	30,9	7,1	30,6	7,8	30,5	8,6	30,5	9,5
31	-10	95	24,5	8,7	24,2	9,0	--	--	--	--
	-5	90	27,3	8,4	27,0	8,9	26,9	9,5	--	--
	0	90	29,9	8,1	29,6	8,7	29,5	9,4	29,6	10,3
	5	80	32,5	7,9	32,2	8,6	32,2	9,4	32,2	10,4
	8	70	34,0	7,8	33,7	8,6	33,5	9,5	33,5	10,5
37	-10	95	26,2	8,5	26,3	9,5	--	--	--	--
	-5	90	29,4	8,6	29,4	9,6	29,4	10,7	--	--
	0	90	33,2	8,6	33,1	9,6	32,9	10,7	32,8	12,0
	5	80	36,9	8,7	36,6	9,7	36,3	10,8	36,0	12,1
	8	70	38,9	8,8	38,5	9,7	38,1	10,8	37,7	12,1
41	-10	95	29,9	10,1	29,9	11,2	--	--	--	--
	-5	90	33,7	10,0	33,5	11,2	33,4	12,4	--	--
	0	90	38,2	10,0	37,8	11,1	37,4	12,4	37,2	13,8
	5	80	42,3	10,0	41,8	11,1	41,4	12,4	41,0	13,8
	8	70	44,7	10,0	44,1	11,1	43,6	12,4	43,0	13,8
	10	70	46,6	10,0	46,0	11,1	45,4	12,4	44,8	13,8

Pt: heating capacity [kW]

Pe: electrical power absorbed by the compressors [kW]

Ta: dry bulb evaporator intake air temperature[°C]

RH : evaporator intake air relative humidity [

## EPSILON ECHOS /LE - COOLING CAPACITY

Model	To	EXTERNAL AIR TEMPERATURE [°C]									
	[°C]	25		30		35		40		45	
		Pf	Pe	Pf	Pe	Pf	Pe	Pf	Pe	Pf	Pe
6	0	5,8	1,4	5,5	1,6	5,1	1,9	4,7	2,1	4,3	2,4
	2,5	6,3	1,5	5,9	1,6	5,5	1,9	5,1	2,1	4,7	2,4
	5	6,8	1,5	6,4	1,7	6,0	1,9	5,6	2,1	5,1	2,4
	7,5	7,4	1,5	7,0	1,7	6,5	1,9	6,0	2,1	--	--
	10	8,0	1,5	7,5	1,7	7,0	1,9	6,5	2,2	--	--
8	0	7,2	2,0	6,8	2,2	6,3	2,6	5,8	2,9	5,3	3,3
	2,5	7,8	2,0	7,4	2,3	6,8	2,6	6,3	2,9	5,7	3,4
	5	8,5	2,0	8,0	2,3	7,4	2,6	6,8	3,0	6,2	3,4
	7,5	9,1	2,0	8,6	2,3	8,0	2,6	7,4	3,0	--	--
	10	9,8	2,1	9,2	2,3	8,6	2,7	8,0	3,0	--	--
10	0	9,0	2,7	8,3	3,0	7,7	3,3	7,2	3,7	6,6	4,1
	2,5	9,8	2,7	9,1	3,0	8,5	3,3	7,8	3,7	7,2	4,2
	5	10,7	2,8	10,0	3,1	9,2	3,4	8,5	3,8	7,9	4,2
	7,5	11,7	2,8	10,9	3,1	10,1	3,4	9,3	3,8	--	--
	10	12,7	2,8	11,8	3,2	11,0	3,5	10,2	3,9	--	--
14	0	13,4	3,4	12,4	3,7	11,5	4,1	10,6	4,6	9,8	5,1
	2,5	14,6	3,4	13,5	3,8	12,5	4,2	11,6	4,7	10,7	5,2
	5	15,8	3,5	14,7	3,8	13,6	4,3	12,6	4,7	11,7	5,3
	7,5	17,1	3,5	16,0	3,9	14,9	4,3	13,8	4,8	--	--
	10	18,6	3,6	17,3	4,0	16,2	4,4	15,0	4,9	--	--
16	0	15,5	4,1	14,3	4,5	13,2	5,1	12,1	5,7	11,1	6,4
	2,5	16,8	4,2	15,6	4,6	14,4	5,2	13,2	5,8	12,1	6,5
	5	18,2	4,2	16,9	4,7	15,6	5,3	14,4	5,9	13,2	6,6
	7,5	19,7	4,3	18,4	4,8	17,0	5,4	15,7	6,0	--	--
	10	21,4	4,4	19,9	4,9	18,5	5,5	17,1	6,1	--	--
18	0	18,5	4,8	17,1	5,3	15,7	5,9	14,4	6,7	13,2	7,5
	2,5	20,0	4,9	18,6	5,4	17,1	6,0	15,8	6,8	14,4	7,6
	5	21,7	5,0	20,2	5,5	18,6	6,1	17,2	6,9	15,8	7,7
	7,5	23,5	5,1	21,9	5,6	20,3	6,3	18,7	7,0	--	--
	10	25,5	5,2	23,7	5,7	22,0	6,4	20,3	7,2	--	--

Pf: cooling capacity [kW]

Pe: electrical power absorbed by the compressors [kW]

To: evaporator outgoing water temperature [°C]



## EPSILON ECHOS /LE - COOLING CAPACITY

Model	To	EXTERNAL AIR TEMPERATURE [°C]									
	[°C]	25		30		35		40		45	
		Pf	Pe	Pf	Pe	Pf	Pe	Pf	Pe	Pf	Pe
21	0	19,4	4,4	17,9	4,9	16,5	5,5	15,2	6,1	13,9	6,9
	2,5	21,1	4,5	19,5	4,9	18,0	5,5	16,6	6,2	15,3	6,9
	5	22,9	4,5	21,3	5,0	19,7	5,6	18,2	6,2	16,7	7,0
	7,5	24,9	4,6	23,2	5,1	21,5	5,7	19,9	6,3	--	--
25	0	23,9	6,2	22,5	6,8	21,3	7,5	20,0	8,4	18,9	9,3
	2,5	25,8	6,2	24,3	6,9	22,9	7,7	21,6	8,5	20,3	9,5
	5	27,8	6,3	26,2	7,0	24,7	7,8	23,3	8,7	21,8	9,7
	7,5	29,9	6,4	28,3	7,2	26,6	8,0	25,0	8,9	--	--
28	0	27,4	7,1	25,9	7,9	24,4	8,7	23,0	9,7	21,6	10,8
	2,5	29,6	7,2	27,9	8,0	26,3	8,9	24,8	9,9	23,3	11,0
	5	31,9	7,3	30,1	8,1	28,4	9,1	26,7	10,1	25,0	11,3
	7,5	34,3	7,5	32,4	8,3	30,5	9,3	28,7	10,3	--	--
31	0	30,4	7,7	28,7	8,4	27,1	9,4	25,6	10,4	24,1	11,6
	2,5	32,9	7,7	31,1	8,6	29,3	9,5	27,6	10,6	25,9	11,8
	5	35,5	7,8	33,5	8,7	31,6	9,7	29,7	10,8	27,9	12,0
	7,5	38,3	8,0	36,1	8,8	34,1	9,9	32,0	11,0	--	--
37	0	36,2	8,8	34,1	9,7	31,9	10,7	29,4	11,9	26,9	13,2
	2,5	39,2	9,0	36,9	9,9	34,5	10,9	31,9	12,1	29,2	13,4
	5	42,3	9,2	39,9	10,1	37,3	11,2	34,5	12,3	31,5	13,7
	7,5	45,6	9,5	43,0	10,4	40,2	11,4	37,2	12,6	--	--
41	0	40,8	10,0	38,3	11,1	35,7	12,2	33,0	13,6	30,2	15,1
	2,5	44,2	10,2	41,6	11,3	38,8	12,4	35,9	13,8	32,8	15,3
	5	47,7	10,4	45,0	11,5	42,0	12,7	38,9	14,0	35,6	15,5
	7,5	51,5	10,7	48,5	11,7	45,4	12,9	42,0	14,3	--	--
	10	55,4	10,9	52,2	12,0	48,8	13,2	45,3	14,6	--	--

Pf: cooling capacity [kW]  
 Pe: electrical power absorbed by the compressors [kW]  
 To: evaporator outgoing water temperature [°C]

## EPSILON ECHOS /LE /HP - HEATING CAPACITY

Model	CONDENSATION TEMPERATURE [°C]											
	Ta [°C]	RH %	40		45		50		55		60	
			Pt	Pe	Pt	Pe	Pt	Pe	Pt	Pe	Pt	Pe
6	-10	95	4,5	1,8	--	--	--	--	--	--	--	--
	-5	90	5,0	1,8	5,1	2,0	--	--	--	--	--	--
	0	90	5,6	1,7	5,7	2,0	5,7	2,2	--	--	--	--
	5	80	6,2	1,7	6,2	1,9	6,2	2,2	6,3	2,5	--	--
	8	70	6,5	1,7	6,5	1,9	6,5	2,2	6,5	2,5	6,6	2,8
	10	70	6,7	1,7	6,7	1,9	6,7	2,2	6,8	2,4	6,8	2,8
8	-10	95	5,6	2,2	--	--	--	--	--	--	--	--
	-5	90	6,2	2,2	6,3	2,5	--	--	--	--	--	--
	0	90	6,9	2,1	7,0	2,4	7,1	2,8	--	--	--	--
	5	80	7,6	2,1	7,6	2,4	7,7	2,7	7,8	3,1	--	--
	8	70	8,0	2,0	8,0	2,3	8,0	2,7	8,1	3,1	8,1	3,5
	10	70	8,3	2,0	8,3	2,3	8,3	2,7	8,4	3,0	8,4	3,5
10	-10	95	7,0	2,7	--	--	--	--	--	--	--	--
	-5	90	7,8	2,7	7,8	3,0	--	--	--	--	--	--
	0	90	8,8	2,7	8,7	3,0	8,7	3,4	--	--	--	--
	5	80	9,6	2,7	9,6	3,0	9,6	3,4	9,6	3,8	--	--
	8	70	10,1	2,7	10,0	3,0	10,0	3,4	10,1	3,8	10,1	4,2
	10	70	10,6	2,7	10,5	3,0	10,4	3,4	10,4	3,8	10,5	4,2
14	-10	95	9,9	3,5	--	--	--	--	--	--	--	--
	-5	90	11,1	3,5	11,1	3,9	--	--	--	--	--	--
	0	90	12,5	3,5	12,3	3,9	12,3	4,4	--	--	--	--
	5	80	13,7	3,5	13,6	3,9	13,5	4,4	13,4	4,9	--	--
	8	70	14,5	3,5	14,2	3,9	14,1	4,4	14,0	4,9	14,0	5,5
	10	70	15,1	3,5	14,8	3,9	14,6	4,3	14,6	4,9	14,6	5,5
16	-10	95	11,6	4,2	--	--	--	--	--	--	--	--
	-5	90	13,0	4,2	12,9	4,7	--	--	--	--	--	--
	0	90	14,5	4,2	14,4	4,7	14,3	5,3	--	--	--	--
	5	80	16,0	4,2	15,8	4,7	15,7	5,3	15,7	5,9	--	--
	8	70	16,8	4,2	16,5	4,7	16,4	5,2	16,4	5,9	16,4	6,7
	10	70	17,5	4,1	17,2	4,7	17,0	5,2	17,0	5,9	17,0	6,7
18	-10	95	13,8	4,9	--	--	--	--	--	--	--	--
	-5	90	15,4	4,9	15,3	5,5	--	--	--	--	--	--
	0	90	17,3	4,9	17,1	5,5	17,0	6,2	--	--	--	--
	5	80	19,0	4,9	18,7	5,5	18,6	6,2	18,6	7,0	--	--
	8	70	20,0	4,9	19,7	5,5	19,5	6,2	19,4	6,9	19,4	7,8
	10	70	20,8	4,9	20,5	5,5	20,3	6,1	20,2	6,9	20,2	7,8

Pt: heating capacity [kW]

Pe: electrical power absorbed by the compressors [kW]

Ta: dry bulb evaporator intake air temperature[°C]

RH : evaporator intake air relative humidity [%]

## EPSILON ECHOS /LE /HP - HEATING CAPACITY

Model	CONDENSATION TEMPERATURE [°C]											
	Ta [°C]	RH %	40		45		50		55		60	
			Pt	Pe	Pt	Pe	Pt	Pe	Pt	Pe	Pt	Pe
21	-10	95	14,3	5,0		--		--		--		--
	-5	90	16,1	5,0	15,9	5,6		--		--		--
	0	90	18,1	5,0	17,8	5,6	17,6	6,3		--		--
	5	80	20,0	5,0	19,6	5,6	19,4	6,3	19,3	7,1		--
	8	70	21,1	5,0	20,6	5,6	20,4	6,3	20,2	7,1	20,1	8,0
	10	70	22,1	5,0	21,6	5,6	21,3	6,3	21,1	7,1	20,9	7,9
25	-10	95	19,2	6,9		--		--		--		--
	-5	90	21,4	6,7	21,1	7,1		--		--		--
	0	90	23,4	6,5	23,2	7,0	23,1	7,6		--		--
	5	80	25,4	6,3	25,2	6,9	25,2	7,6	25,3	8,4		--
	8	70	26,5	6,3	26,3	6,9	26,3	7,6	26,3	8,4	26,4	9,3
	10	70	27,5	6,2	27,3	6,9	27,2	7,6	27,2	8,4	27,4	9,4
28	-10	95	22,3	8,0		--		--		--		--
	-5	90	24,7	7,7	24,4	8,2		--		--		--
	0	90	27,2	7,4	26,9	8,0	26,8	8,7		--		--
	5	80	29,5	7,3	29,3	7,9	29,2	8,7	29,3	9,7		--
	8	70	30,9	7,2	30,6	7,9	30,5	8,7	30,5	9,7	30,6	10,8
	10	70	32,1	7,2	31,8	7,9	31,6	8,7	31,6	9,7	31,8	10,8
31	-10	95	24,5	8,8		--		--		--		--
	-5	90	27,2	8,5	26,9	9,0		--		--		--
	0	90	29,8	8,2	29,6	8,9	29,5	9,7		--		--
	5	80	32,5	8,0	32,2	8,8	32,2	9,7	32,2	10,7		--
	8	70	33,9	8,0	33,7	8,7	33,5	9,7	33,5	10,7	33,7	11,9
	10	70	35,2	7,9	34,9	8,7	34,8	9,7	34,8	10,7	35,0	12,0
37	-10	95	26,2	8,9		--		--		--		--
	-5	90	29,4	8,8	29,4	9,9		--		--		--
	0	90	33,2	8,9	33,0	9,9	32,9	11,1		--		--
	5	80	36,8	8,9	36,5	9,9	36,2	11,0	36,0	12,4		--
	8	70	38,9	8,9	38,5	9,9	38,1	11,0	37,6	12,4	37,2	13,9
	10	70	40,5	8,9	40,1	9,9	39,6	11,1	39,2	12,4	38,8	13,9
41	-10	95	29,9	10,5		--		--		--		--
	-5	90	33,6	10,4	33,5	11,6		--		--		--
	0	90	38,1	10,3	37,8	11,4	37,4	12,8		--		--
	5	80	42,2	10,2	41,7	11,4	41,3	12,7	40,9	14,2		--
	8	70	44,6	10,2	44,0	11,3	43,5	12,6	42,9	14,1	42,4	15,8
	10	70	46,5	10,2	45,9	11,3	45,3	12,6	44,7	14,1	44,2	15,7

Pt: heating capacity [kW]

Pe: electrical power absorbed by the compressors [kW]

Ta: dry bulb evaporator intake air temperature[°C]

RH : evaporator intake air relative humidity [

## NOISE LEVELS - EPSILON ECHOS

MODEL	Octave Bands [Hz]																Total	
	63 [dB]		125 [dB]		250 [dB]		500 [dB]		1000 [dB]		2000 [dB]		4000 [dB]		8000 [dB]		dB(A)	
	Lw	Lp	Lw	Lp	Lw	Lp	Lw	Lp	Lw	Lp	Lw	Lp	Lw	Lp	Lw	Lp	Lw	Lp
6	69	38	69	38	68	37	64	33	58	27	54	23	47	16	40	9	65	34
8	70	39	70	39	69	38	66	35	59	28	56	25	50	19	42	11	67	36
10	74	43	71	40	72	41	66	35	62	31	58	27	51	20	44	13	68	37
14	74	43	74	43	72	41	69	38	64	33	58	27	53	22	43	12	70	39
16	77	46	76	45	76	45	71	40	65	34	61	30	56	25	46	15	72	41
18	80	49	79	48	79	48	73	42	68	37	64	33	57	26	50	19	75	44
21	81	50	79	48	80	49	74	43	70	39	65	34	57	26	51	20	76	45
25	81	50	79	48	79	48	75	44	67	36	64	33	59	28	50	19	76	45
28	81	50	80	49	79	48	75	44	68	37	65	34	60	29	51	20	76	45
31	81	49	79	47	80	48	74	42	69	37	65	33	58	26	51	19	76	45
37	83	51	82	50	80	48	77	45	70	38	66	34	60	28	53	21	77	46
41	82	50	82	50	80	48	76	44	71	39	65	33	60	28	52	20	77	46

## NOISE LEVELS - EPSILON ECHOS /SLN

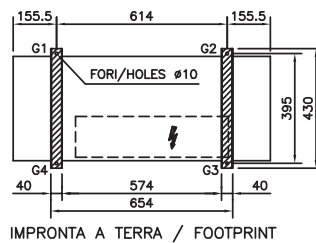
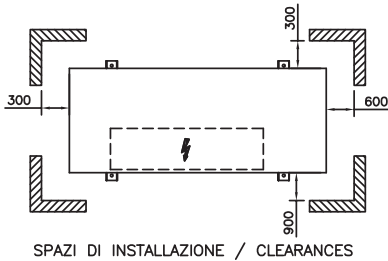
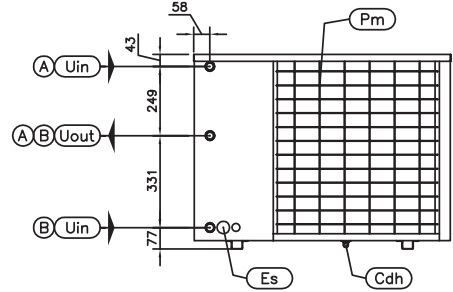
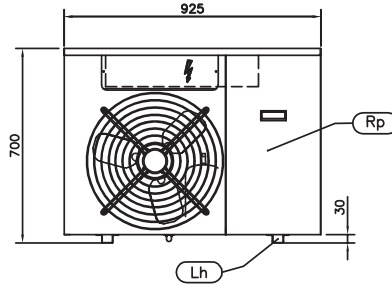
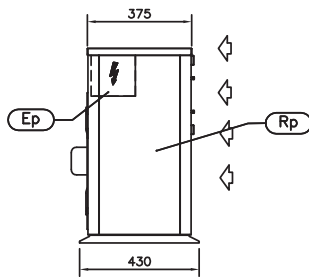
MODEL	Octave Bands [Hz]																Total	
	63 [dB]		125 [dB]		250 [dB]		500 [dB]		1000 [dB]		2000 [dB]		4000 [dB]		8000 [dB]		dB(A)	
	Lw	Lp	Lw	Lp	Lw	Lp	Lw	Lp	Lw	Lp	Lw	Lp	Lw	Lp	Lw	Lp	Lw	Lp
6	62	31	62	31	61	30	57	26	52	21	47	16	40	9	32	1	58	27
8	64	33	63	32	63	32	59	28	52	21	49	18	41	10	36	5	60	29
10	66	35	66	35	65	34	61	30	55	24	52	21	45	14	39	8	62	31
14	67	36	67	36	66	35	62	31	57	26	52	21	46	15	38	7	63	32
16	69	38	68	37	68	37	63	32	58	27	53	22	49	18	40	9	65	34
18	71	40	70	39	69	38	65	34	59	28	55	24	49	18	40	9	66	35
21	72	41	70	39	70	39	64	33	60	29	55	24	49	18	42	11	67	36
25	73	42	71	40	71	40	67	36	59	28	56	25	52	21	43	12	68	37
28	73	42	72	41	72	41	66	35	61	30	58	27	51	20	44	13	68	37
31	75	43	73	41	72	40	69	37	62	30	58	26	53	21	45	13	69	37
37	75	43	74	42	73	41	69	37	62	30	59	27	53	21	46	14	70	38

Lw: noise power levels measured in free field according to standard ISO 3744.

Lp: noise pressure levels measured at 10 m from the unit in free field, according to standard ISO 3744.

# DIMENSIONAL DRAWING

## EPSILON ECHOS 6-10



CONNESSIONI IDRAULICHE/HYDRAULIC CONNECTIONS

- Ⓐ SENZA MODULO IDRAULICO  
WITHOUT HYDRAULIC MODULE
- Ⓑ MODULO IDRAULICO ST1P  
HYDRAULIC MODULE ST1P

DIMENSIONI - DIMENSIONS		
LUNGHEZZA WIDTH	PROFONDITA' DEPTH	ALTEZZA HEIGHT
925	375	700

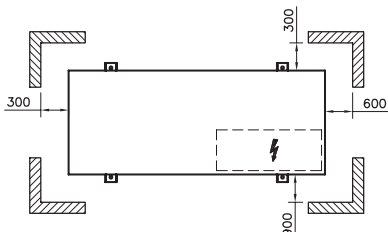
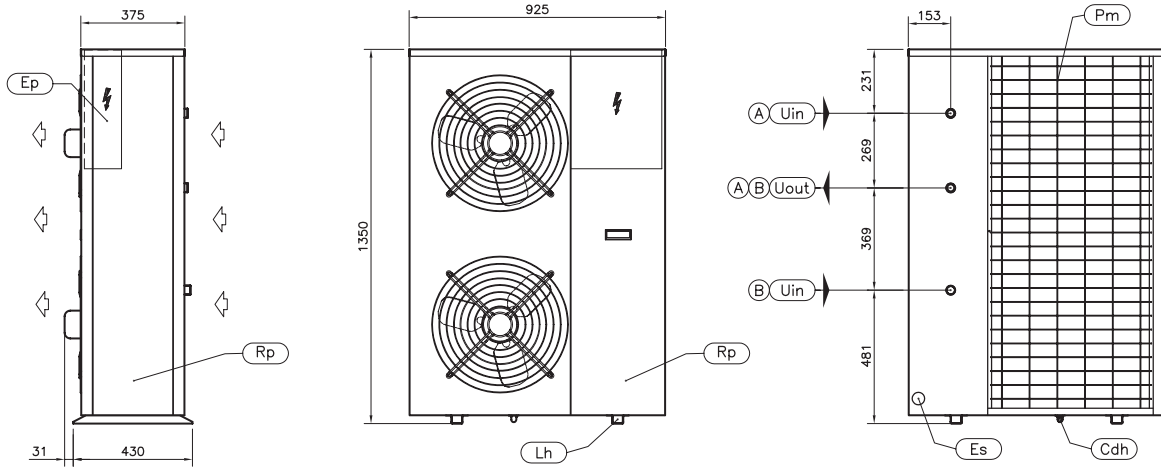
Ep	QUADRO ELETTRICO ELECTRICAL PANEL	Rp	PANNELLO ASPORTABILE REMOVABLE PANEL
Es	INGRESSO ALIMENTAZIONE ELETTRICA ELECTRICAL SUPPLY INLET	Cdh	SCARICO CONDENSA VERS.HP CONDENSATE DRAIN HP VERSION $\varnothing 18$
Lh	FORI DI SOLLEVAMENTO LIFTING HOLES	Uin	INGRESSO ACQUA UTILIZZO USER WATER INLET 1" BSPM
Pm	GRIGLIE DI PROTEZIONE PROTECTIVE METAL MESH	Uout	USCITA ACQUA UTILIZZO USER WATER OUTLET 1" BSPM

MODELLO MODEL	PESO WEIGHT (Kg)	PESO IN FUNZIONE OPERATING WEIGHT (Kg)
EPSILON ECHOS 6	74	74
EPSILON ECHOS 8	82	82
EPSILON ECHOS 10	89	89
EPSILON ECHOS ST1P 6	83	84
EPSILON ECHOS ST1P 8	91	92
EPSILON ECHOS ST1P 10	98	99
EPSILON ECHOS HP 6	86	86
EPSILON ECHOS HP 8	91	91
EPSILON ECHOS HP 10	95	95
EPSILON ECHOS HP ST1P 6	95	96
EPSILON ECHOS HP ST1P 8	100	101
EPSILON ECHOS HP ST1P 10	104	105

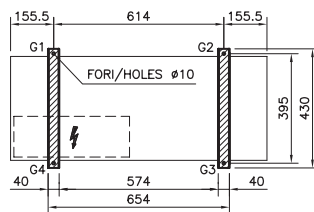
SD00001D

# DIMENSIONAL DRAWING

## EPSILON ECHOS 14-18



SPAZI DI INSTALLAZIONE / CLEARANCES



IMPRONTA A TERRA / FOOTPRINT

CONNESSIONI IDRAULICHE/HYDRAULIC CONNECTIONS

- (A) SENZA MODULO IDRAULICO  
WITHOUT HYDRAULIC MODULE
- (B) MODULO IDRAULICO ST1P  
HYDRAULIC MODULE ST1P

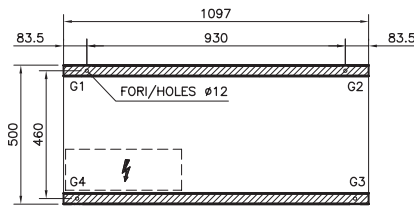
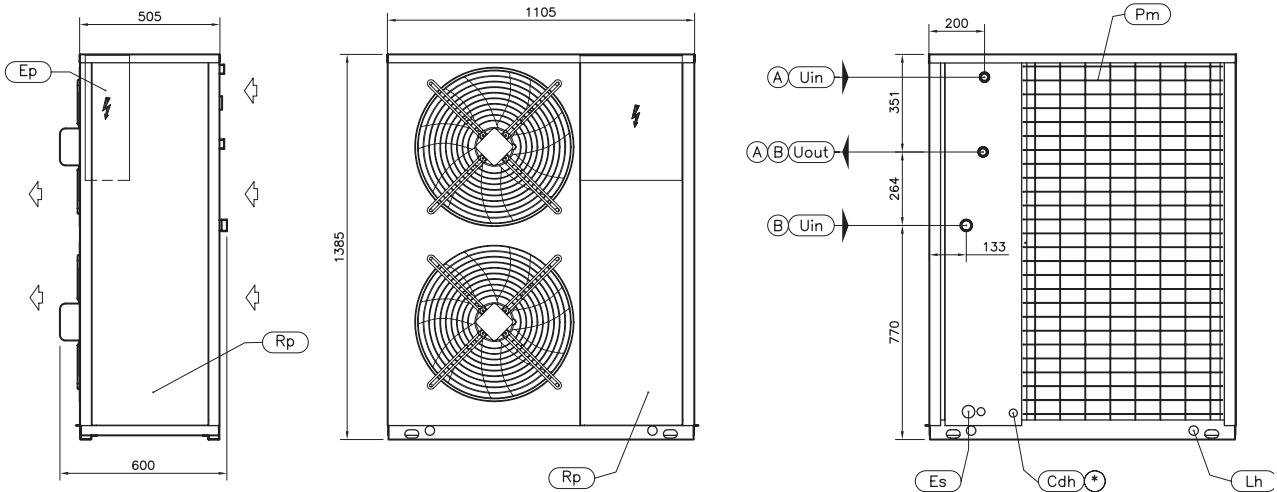
DIMENSIONI - DIMENSIONS		
LUNGHEZZA WIDTH	PROFONDITA' DEPTH	ALTEZZA HEIGHT
925	375	1350

MODELLO MODEL	PESO WEIGHT (Kg)	PESO IN FUNZIONE OPERATING WEIGHT (Kg)
EPSILON ECHOS 14	118	119
EPSILON ECHOS 16	135	136
EPSILON ECHOS 18	147	148
EPSILON ECHOS ST1P 14	133	134
EPSILON ECHOS ST1P 16	150	151
EPSILON ECHOS ST1P 18	162	163
EPSILON ECHOS HP 14	131	132
EPSILON ECHOS HP 16	145	146
EPSILON ECHOS HP 18	161	162
EPSILON ECHOS HP ST1P 14	146	147
EPSILON ECHOS HP ST1P 16	160	161
EPSILON ECHOS HP ST1P 18	176	177

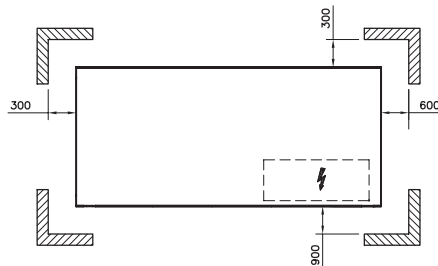
Ep	QUADRO ELETTRICO ELECTRICAL PANEL	Rp	PANNELLO ASPORTABILE REMOVABLE PANEL
Es	INGRESSO ALIMENTAZIONE ELETTRICA ELECTRICAL SUPPLY INLET	Cdh	SCARICO CONDENSATE VERS.HP CONDENSATE DRAIN HP VERSION Ø18
Lh	FORI DI SOLLEVAMENTO LIFTING HOLES	Uin	INGRESSO ACQUA UTILIZZO USER WATER INLET 1" BSPM
Pm	GRIGLIE DI PROTEZIONE PROTECTIVE METAL MESH	Uout	USCITA ACQUA UTILIZZO USER WATER OUTLET 1" BSPM

# DIMENSIONAL DRAWING

## EPSILON ECHOS 21-28



IMPRONTA A TERRA / FOOTPRINT



SPAZI DI INSTALLAZIONE / CLEARANCES

CONNESSIONI IDRAULICHE/HYDRAULIC CONNECTIONS

- (A) SENZA MODULO IDRAULICO / WITHOUT HYDRAULIC MODULE
- (B) MODULO IDRAULICO ST1P / HYDRAULIC MODULE ST1P
- (\* OPZIONALE / OPTIONAL)

Uin		Uout
(A)	(B)	(A) (B)
1" BSPM	1 1/4" BSPM	1" BSPM

DIMENSIONI - DIMENSIONS		
LUNGHEZZA / WIDTH	PROFONDITA' / DEPTH	ALTEZZA / HEIGHT
1105	505	1385

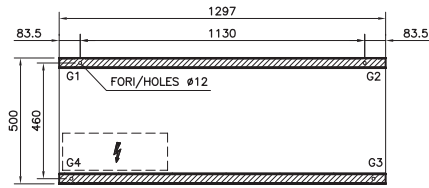
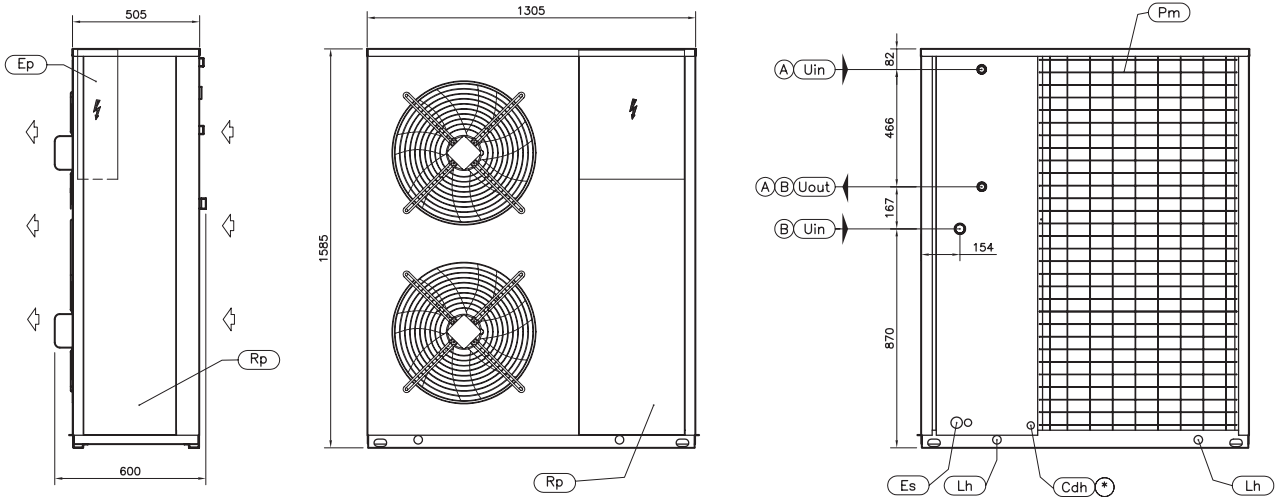
Ep	QUADRO ELETTRICO / ELECTRICAL PANEL	Rp	PANNELLO ASPORTABILE / REMOVABLE PANEL
Es	INGRESSO ALIMENTAZIONE ELETTRICA / ELECTRICAL SUPPLY INLET	Cdh	SCARICO CONDENSA VERS. HP / CONDENSATE DRAIN HP VERSION
LH	FORI DI SOLLEVAMENTO / LIFTING HOLES	Uin	INGRESSO ACQUA UTILIZZO / USER WATER INLET
Pm	GRIGLIE DI PROTEZIONE / PROTECTIVE METAL MESH	Uout	USCITA ACQUA UTILIZZO / USER WATER OUTLET

MODELLO / MODEL	PESO / WEIGHT (Kg)	PESO IN FUNZIONE / OPERATING WEIGHT (Kg)
EPSILON ECHOS 21	178	180
EPSILON ECHOS 25	190	192
EPSILON ECHOS 28	224	226
EPSILON ECHOS ST1P 21	198	200
EPSILON ECHOS ST1P 25	210	212
EPSILON ECHOS ST1P 28	244	246
EPSILON ECHOS HP 21	210	212
EPSILON ECHOS HP 25	218	220
EPSILON ECHOS HP 28	245	247
EPSILON ECHOS HP ST1P 21	230	232
EPSILON ECHOS HP ST1P 25	238	240
EPSILON ECHOS HP ST1P 28	265	267

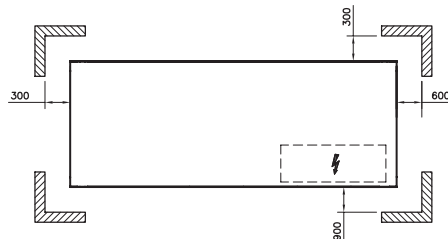
SD00003D

# DIMENSIONAL DRAWING

## EPSILON ECHOS 31-41



IMPRONTA A TERRA / FOOTPRINT



SPAZI DI INSTALLAZIONE / CLEARANCES

CONNESSIONI IDRAULICHE/HYDRAULIC CONNECTIONS

- (A) SENZA MODULO IDRAULICO / WITHOUT HYDRAULIC MODULE
- (B) MODULO IDRAULICO ST1P / HYDRAULIC MODULE ST1P
- (\*) OPZIONALE / OPTIONAL

Uin	Uout
(A) (B)	(A) (B)
1 1/4" BSPM	1 1/4" BSPM

DIMENSIONI - DIMENSIONS		
LUNGHEZZA / WIDTH	PROFONDITA' / DEPTH	ALTEZZA / HEIGHT
1305	505	1585

Ep	QUADRO ELETTRICO / ELECTRICAL PANEL	Rp	PANNELLO ASPORTABILE / REMOVABLE PANEL
Es	INGRESSO ALIMENTAZIONE ELETTRICA / ELECTRICAL SUPPLY INLET	Cdh	SCARICO CONDENSATE VERS. HP / CONDENSATE DRAIN HP VERSION <small>OPTIONAL Ø22</small>
LH	FORI DI SOLLEVAMENTO / LIFTING HOLES $\varnothing 34$	Uin	INGRESSO ACQUA UTILIZZO / USER WATER INLET
Pm	GRIGLIE DI PROTEZIONE / PROTECTIVE METAL MESH	Uout	USCITA ACQUA UTILIZZO / USER WATER OUTLET

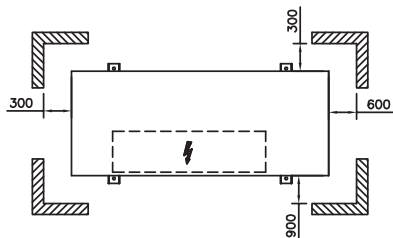
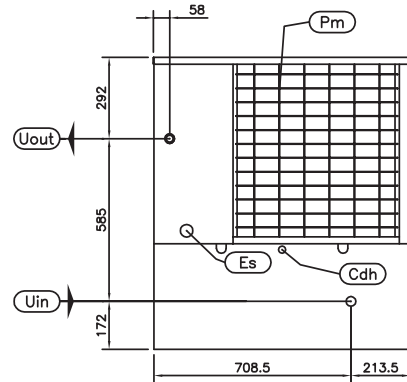
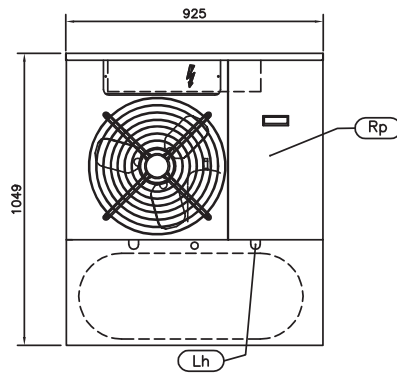
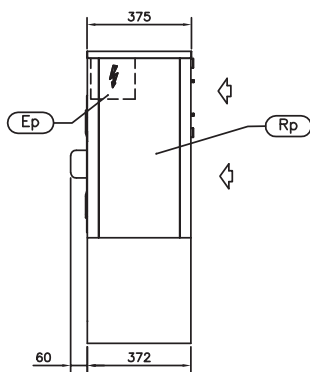
MODELLO / MODEL	PESO / WEIGHT (Kg)	PESO IN FUNZIONE / OPERATING WEIGHT (Kg)
EPSILON ECHOS 31	324	326
EPSILON ECHOS 37	326	328
EPSILON ECHOS 41	337	339
EPSILON ECHOS ST1P 31	344	346
EPSILON ECHOS ST1P 37	351	353
EPSILON ECHOS ST1P 41	362	364
EPSILON ECHOS HP 31	353	355
EPSILON ECHOS HP 37	358	360
EPSILON ECHOS HP 41	374	376
EPSILON ECHOS HP ST1P 31	373	375
EPSILON ECHOS HP ST1P 37	383	385
EPSILON ECHOS HP ST1P 41	399	401

SD00004D

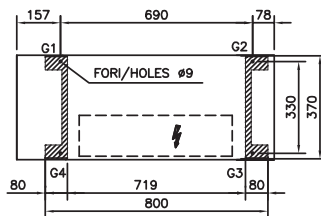


# DIMENSIONAL DRAWING

## EPSILON ECHOS /ST 1PS 6-10



SPAZI DI INSTALLAZIONE / CLEARANCES



IMPRONTA A TERRA / FOOTPRINT

DIMENSIONI - DIMENSIONS		
LUNGHEZZA WIDTH	PROFONDITA' DEPTH	ALTEZZA HEIGHT
925	375	1049

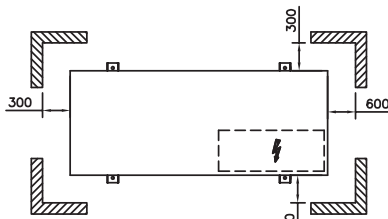
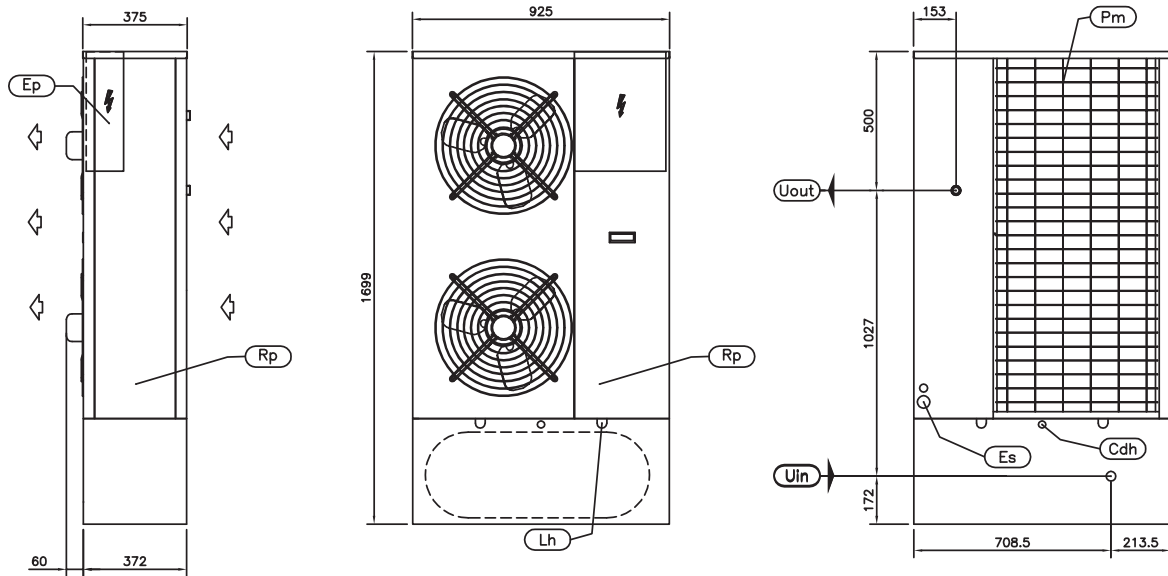
Ep	QUADRO ELETTRICO ELECTRICAL PANEL	Rp	PANNELLO ASPORTABILE REMOVABLE PANEL
Es	INGRESSO ALIMENTAZIONE ELETTRICA ELECTRICAL SUPPLY INLET	Cdh	SCARICO CONDENSA CONDENSATE DRAIN $\varnothing 18$
Lh	FORI DI SOLLEVAMENTO LIFTING HOLES $\varnothing 35$	Uin	INGRESSO ACQUA UTILIZZO USER WATER INLET 1" BSPM
Pm	GRIGLIE DI PROTEZIONE PROTECTIVE METAL MESH	Uout	USCITA ACQUA UTILIZZO USER WATER OUTLET 1" BSPM

MODELLO MODEL	PESO WEIGHT (Kg)	PESO IN FUNZIONE OPERATING WEIGHT (Kg)
EPSILON ECHOS ST1PS 6	123	188
EPSILON ECHOS ST1PS 8	131	198
EPSILON ECHOS ST1PS 10	138	206
EPSILON ECHOS HP ST1PS 6	135	191
EPSILON ECHOS HP ST1PS 8	140	201
EPSILON ECHOS HP ST1PS 10	144	208

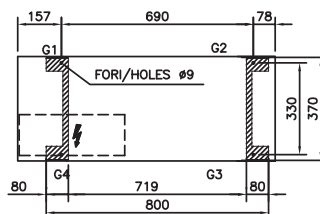
SD00005E

# DIMENSIONAL DRAWING

## EPSILON ECHOS /ST 1PS 14-18



SPAZI DI INSTALLAZIONE / CLEARANCES



IMPRONTA A TERRA / FOOTPRINT

DIMENSIONI - DIMENSIONS		
LUNGHEZZA WIDTH	PROFONDITA' DEPTH	ALTEZZA HEIGHT
925	375	1700

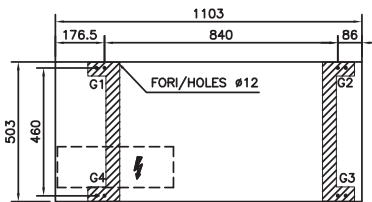
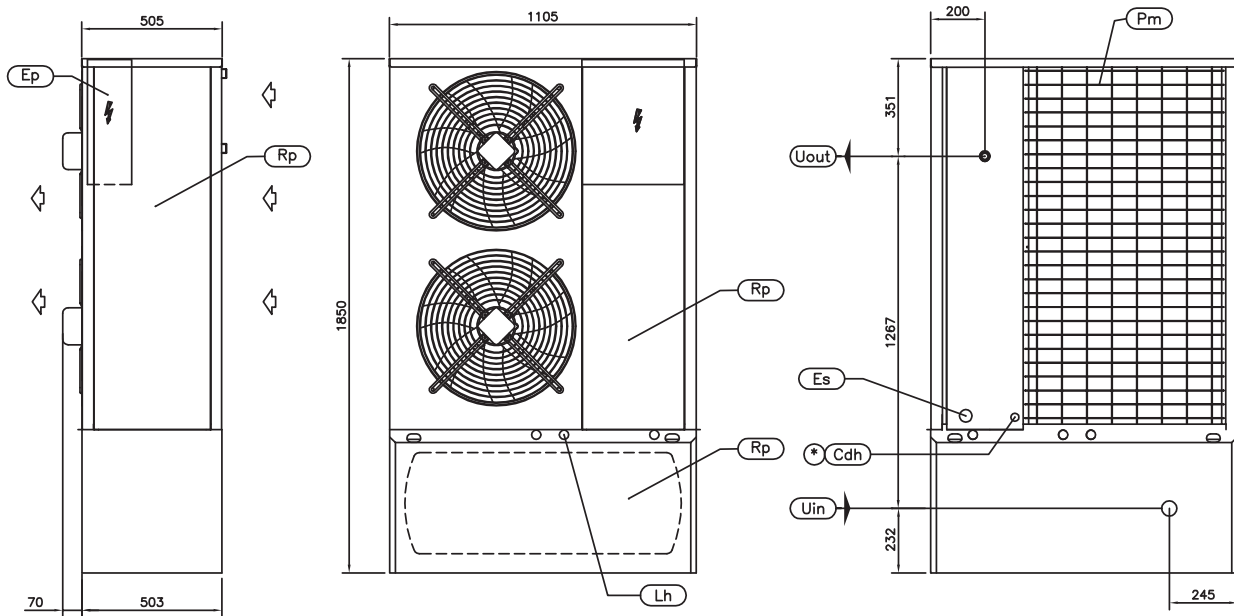
Ep	QUADRO ELETTRICO ELECTRICAL PANEL	Rp	PANNELLO ASPORTABILE REMOVABLE PANEL
Es	INGRESSO ALIMENTAZIONE ELETTRICA ELECTRICAL SUPPLY INLET	Cdh	SCARICO CONDENSA CONDENSATE DRAIN $\varnothing 18$
Lh	FORI DI SOLLEVAMENTO LIFTING HOLES $\varnothing 35$	Uin	INGRESSO ACQUA UTILIZZO USER WATER INLET 1" BSPM
Pm	GRIGLIE DI PROTEZIONE PROTECTIVE METAL MESH	Uout	USCITA ACQUA UTILIZZO USER WATER OUTLET 1" BSPM

MODELLO MODEL	PESO WEIGHT (Kg)	PESO IN FUNZIONE OPERATING WEIGHT (Kg)
EPSILON ECHOS ST1PS 14	183	253
EPSILON ECHOS ST1PS 16	200	270
EPSILON ECHOS ST1PS 18	212	282
EPSILON ECHOS HP ST1PS 14	196	266
EPSILON ECHOS HP ST1PS 16	210	280
EPSILON ECHOS HP ST1PS 18	226	296

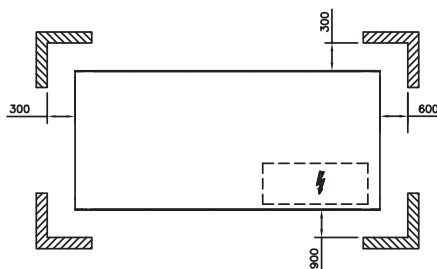
SD00006E

# DIMENSIONAL DRAWING

## EPSILON ECHOS /ST 1PS 21-28



IMPRONTA A TERRA / FOOTPRINT



SPAZI DI INSTALLAZIONE / CLEARANCES

\* OPZIONALE  
OPTIONAL

DIMENSIONI - DIMENSIONS		
LUNGHEZZA WIDTH	PROFONDITA' DEPTH	ALTEZZA HEIGHT
1105	505	1850

Ep	QUADRO ELETTRICO ELECTRICAL PANEL
Es	INGRESSO ALIMENTAZIONE ELETTRICA ELECTRICAL SUPPLY INLET
LH	FORI DI SOLLEVAMENTO LIFTING HOLES $\varnothing 34$
Pm	GRIGLIE DI PROTEZIONE PROTECTIVE METAL MESH

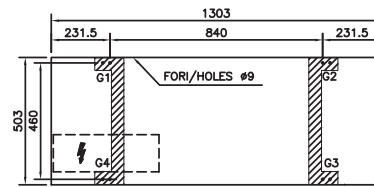
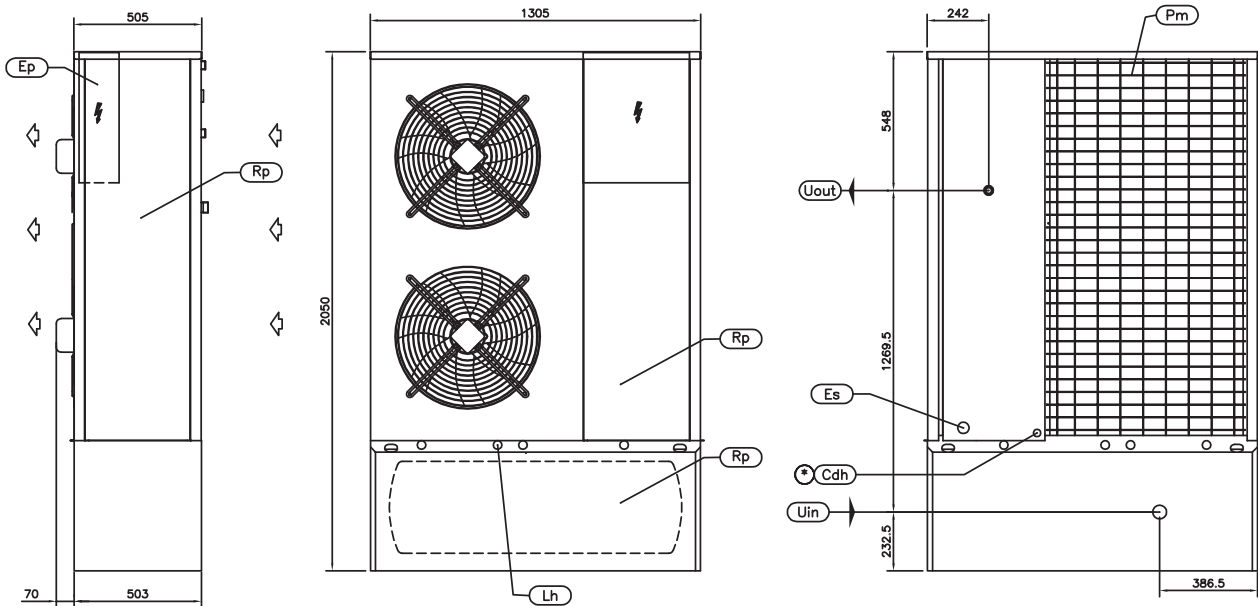
Rp	PANNELLO ASPORTABILE REMOVABLE PANEL
Cdh	SCARICO CONDENSA CONDENSATE DRAIN <small>OPTIONAL</small> $\varnothing 22$
Uin	INGRESSO ACQUA UTILIZZO USER WATER INLET      1 1/4" BSPM
Uout	USCITA ACQUA UTILIZZO USER WATER OUTLET      1" BSPM

MODELLO MODEL	PESO WEIGHT (Kg)	PESO IN FUNZIONE OPERATING WEIGHT (Kg)
EPSILON ECHOS ST 1PS 21	312	422
EPSILON ECHOS ST 1PS 25	318	448
EPSILON ECHOS ST 1PS 28	332	462
EPSILON ECHOS HP ST 1PS 21	295	425
EPSILON ECHOS HP ST 1PS 25	331	461
EPSILON ECHOS HP ST 1PS 28	339	469

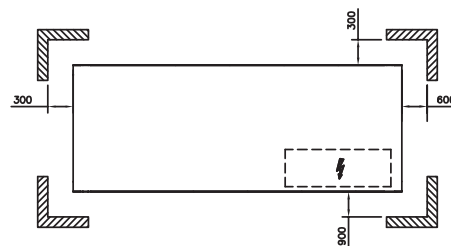
SD00007E

# DIMENSIONAL DRAWING

## EPSILON ECHOS /ST 1PS 31-41



IMPRONTA A TERRA / FOOTPRINT



SPAZI DI INSTALLAZIONE / CLEARANCES

⊛ OPZIONALE  
OPTIONAL

DIMENSIONI - DIMENSIONS		
LUNGHEZZA WIDTH	PROFONDITA' DEPTH	ALTEZZA HEIGHT
1305	505	2050

Ep	QUADRO ELETTRICO ELECTRICAL PANEL
Es	INGRESSO ALIMENTAZIONE ELETTRICA ELECTRICAL SUPPLY INLET
LH	FORI DI SOLLEVAMENTO LIFTING HOLES $\varnothing 34$
Pm	GRIGLIE DI PROTEZIONE PROTECTIVE METAL MESH

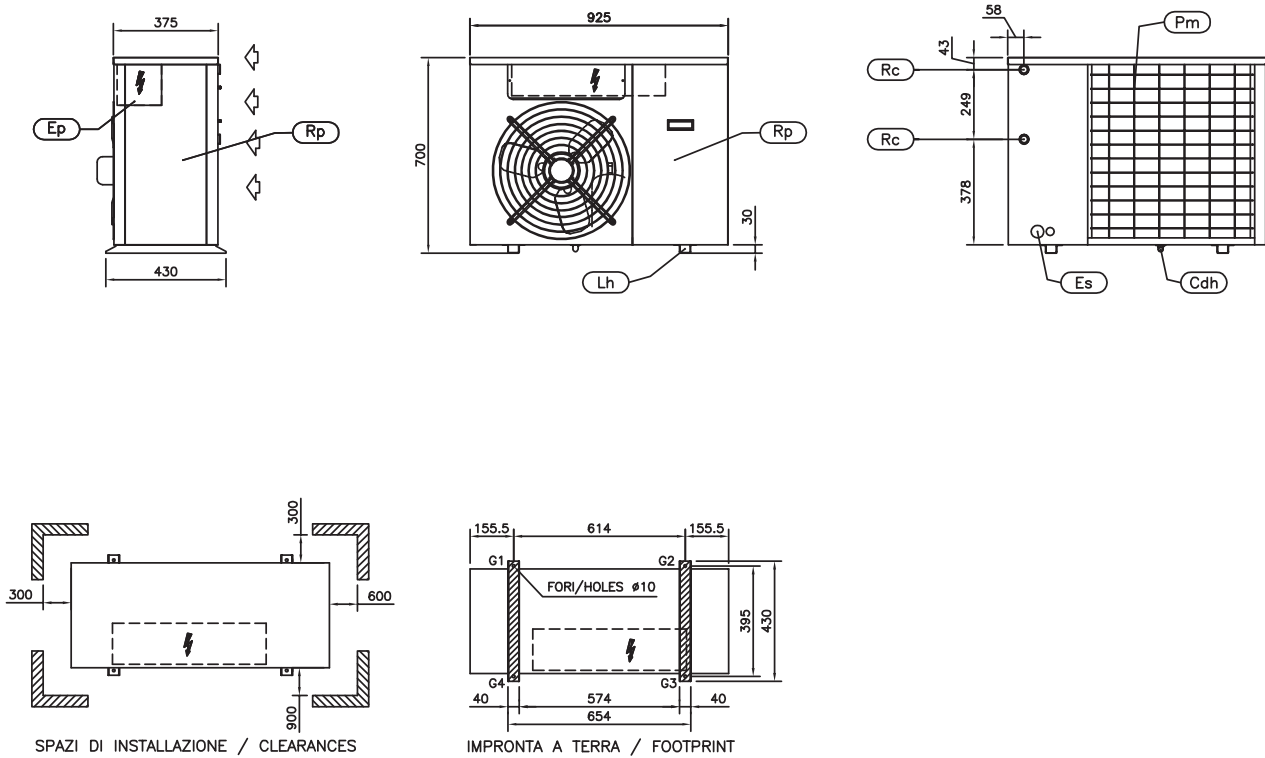
Rp	PANNELLO ASPORTABILE REMOVABLE PANEL	
Cdh	SCARICO CONDENSATE VERS.HP CONDENSATE DRAIN HP VERSION	OPTIONAL $\varnothing 22$
Uin	INGRESSO ACQUA UTILIZZO USER WATER INLET	1 1/4" BSPM
Uout	USCITA ACQUA UTILIZZO USER WATER OUTLET	1 1/4" BSPM

MODELLO MODEL	PESO WEIGHT (Kg)	PESO IN FUNZIONE OPERATING WEIGHT (Kg)
EPSILON ECHOS ST 1PS 31	417	557
EPSILON ECHOS ST 1PS 37	424	564
EPSILON ECHOS ST 1PS 41	435	472
EPSILON ECHOS HP ST 1PS 31	446	586
EPSILON ECHOS HP ST 1PS 37	456	596
EPSILON ECHOS HP ST 1PS 41	472	612

SD00008E

# DIMENSIONAL DRAWING

## EPSILON ECHOS /LE 6-10



SPAZI DI INSTALLAZIONE / CLEARANCES

IMPRONTA A TERRA / FOOTPRINT

DIMENSIONI - DIMENSIONS		
LUNGHEZZA WIDTH	PROFONDITA' DEPTH	ALTEZZA HEIGHT
925	375	700

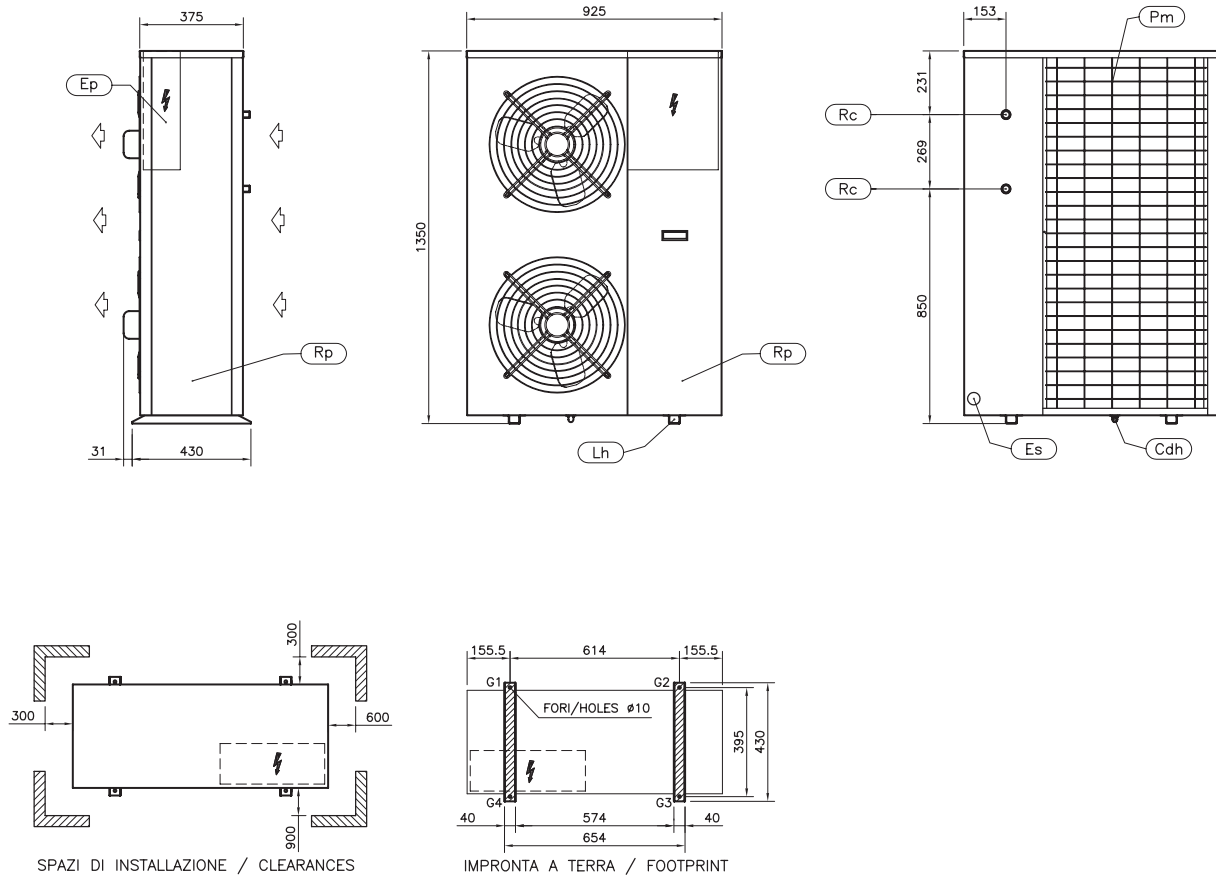
Ep	QUADRO ELETTRICO ELECTRICAL PANEL		
Es	INGRESSO ALIMENTAZIONE ELETTRICA ELECTRICAL SUPPLY INLET	Rc	CONNESSIONI REFRIGERANTE REFRIGERANT CONNECTIONS
Lh	FORI DI SOLLEVAMENTO LIFTING HOLES	Rp	PANNELLO ASPORTABILE REMOVABLE PANEL
Pm	GRIGLIE DI PROTEZIONE PROTECTIVE METAL MESH	Cdh	SCARICO CONDENSA VERS.HP CONDENSATE DRAIN HP VERSION $\varnothing 18$

MODELLO MODEL	PESO WEIGHT (Kg)	PESO IN FUNZIONE OPERATING WEIGHT (Kg)
EPSILON ECHOS LE 6	71	71
EPSILON ECHOS LE 8	78	78
EPSILON ECHOS LE 10	85	85
EPSILON ECHOS LE/HP 6	83	83
EPSILON ECHOS LE/HP 8	87	87
EPSILON ECHOS LE/HP 10	91	91

SD00017C

# DIMENSIONAL DRAWING

## EPSILON ECHOS /LE 14-18



DIMENSIONI - DIMENSIONS		
LUNGHEZZA WIDTH	PROFONDITA' DEPTH	ALTEZZA HEIGHT
925	375	1350

Ep	QUADRO ELETTRICO ELECTRICAL PANEL
Es	INGRESSO ALIMENTAZIONE ELETTRICA ELECTRICAL SUPPLY INLET
Lh	FORI DI SOLLEVAMENTO LIFTING HOLES
Pm	GRIGLIE DI PROTEZIONE PROTECTIVE METAL MESH

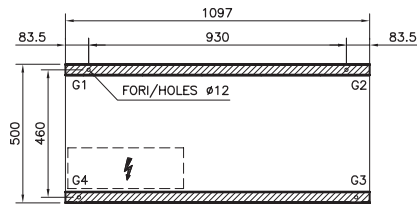
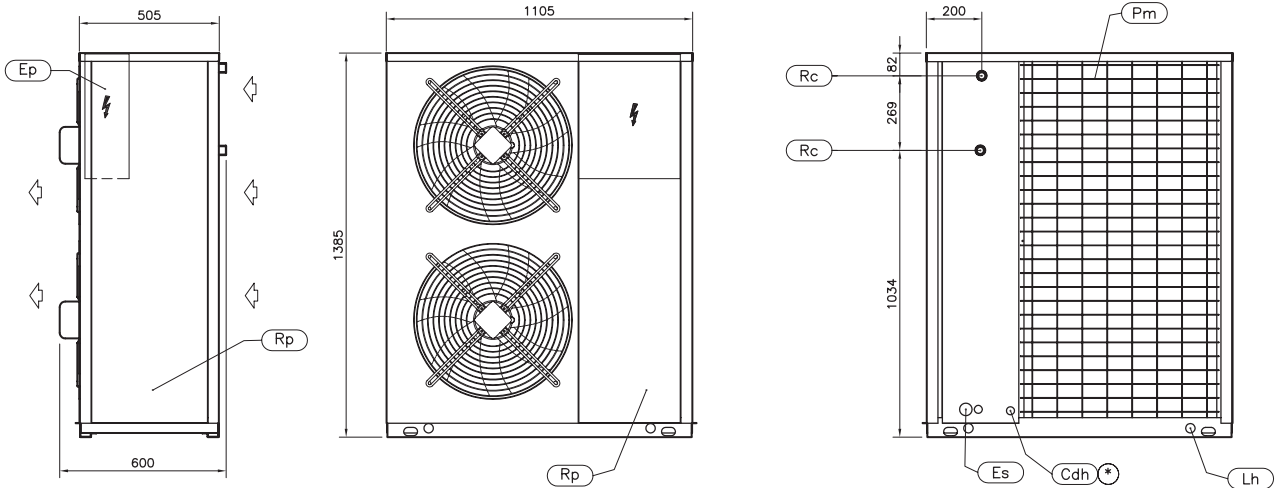
Rc	CONNESSIONI REFRIGERANTE REFRIGERANT CONNECTIONS
Rp	PANNELLO ASPORTABILE REMOVABLE PANEL
Cdh	SCARICO CONDENSA VERS.HP CONDENSATE DRAIN HP VERSION

MODELLO MODEL	PESO WEIGHT (Kg)	PESO IN FUNZIONE OPERATING WEIGHT (Kg)
EPSILON ECHOS LE 14	114	114
EPSILON ECHOS LE 16	131	131
EPSILON ECHOS LE 18	142	142
EPSILON ECHOS LE HP 14	127	127
EPSILON ECHOS LE HP 16	141	141
EPSILON ECHOS HP LE 18	156	156

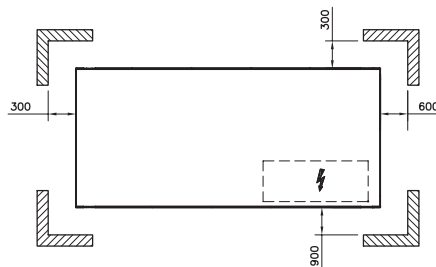
SD00018B

# DIMENSIONAL DRAWING

## EPSILON ECHOS /LE 21-28



IMPRONTA A TERRA / FOOTPRINT



SPAZI DI INSTALLAZIONE / CLEARANCES

⊛ OPZIONALE  
OPTIONAL

DIMENSIONI - DIMENSIONS		
LUNGHEZZA WIDTH	PROFONDITA' DEPTH	ALTEZZA HEIGHT
1105	505	1385

Ep	QUADRO ELETTRICO ELECTRICAL PANEL
Es	INGRESSO ALIMENTAZIONE ELETTRICA ELECTRICAL SUPPLY INLET
LH	FORI DI SOLLEVAMENTO LIFTING HOLES
Pm	GRIGLIE DI PROTEZIONE PROTECTIVE METAL MESH

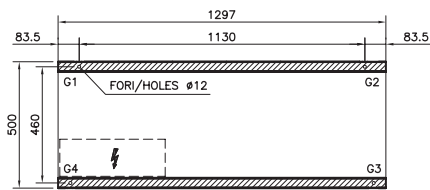
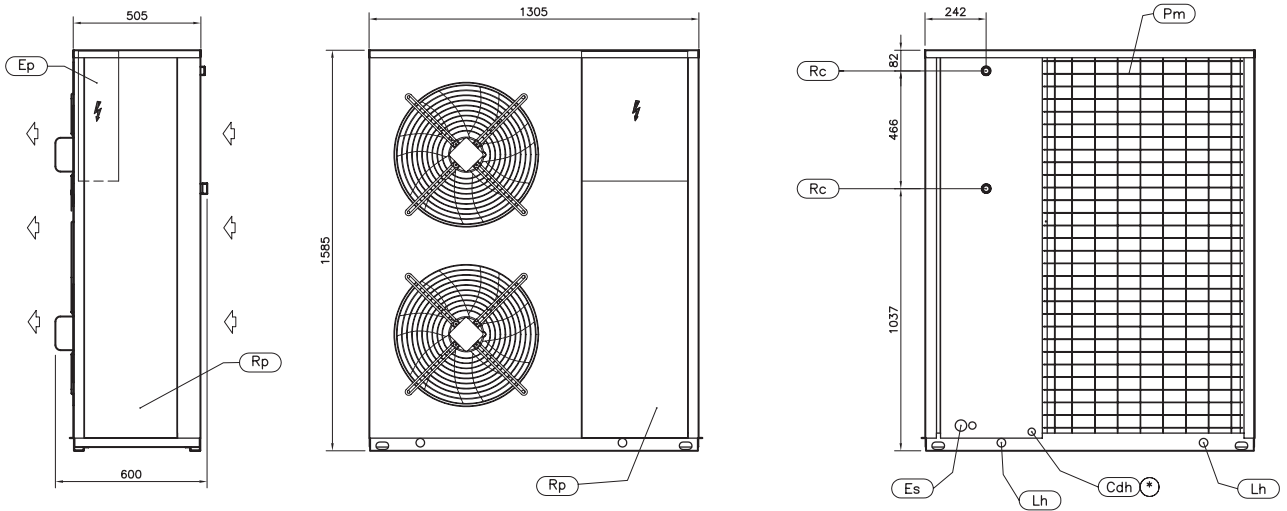
Rc	CONNESSIONI REFRIGERANTE REFRIGERANT CONNECTIONS
Rp	PANNELLO ASPORTABILE REMOVABLE PANEL
Cdh	SCARICO CONDENSA VERS.HP CONDENSATE DRAIN HP VERSION

MODELLO MODEL	PESO WEIGHT (Kg)	PESO IN FUNZIONE OPERATING WEIGHT (Kg)
EPSILON ECHOS LE 21	171	171
EPSILON ECHOS LE 25	183	183
EPSILON ECHOS LE 28	216	216
EPSILON ECHOS LE/HP 21	203	203
EPSILON ECHOS LE/HP 25	211	211
EPSILON ECHOS LE/HP 28	237	237

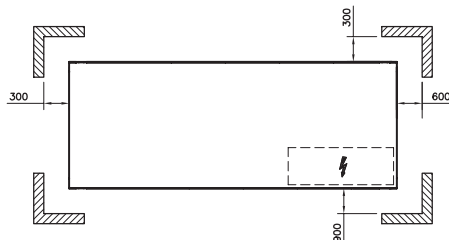
SD00019C

# DIMENSIONAL DRAWING

## EPSILON ECHOS /LE 31-41



IMPRONTA A TERRA / FOOTPRINT



SPAZI DI INSTALLAZIONE / CLEARANCES

⊛ OPZIONALE  
OPTIONAL

DIMENSIONI - DIMENSIONS		
LUNGHEZZA WIDTH	PROFONDITA' DEPTH	ALTEZZA HEIGHT
1305	505	1585

Ep	QUADRO ELETTRICO ELECTRICAL PANEL		
Es	INGRESSO ALIMENTAZIONE ELETTRICA ELECTRICAL SUPPLY INLET	Rc	CONNESSIONI REFRIGERANTE REFRIGERANT CONNECTIONS
LH	FORI DI SOLLEVAMENTO LIFTING HOLES	Rp	PANNELLO ASPORTABILE REMOVABLE PANEL
	Ø34		
Pm	GRIGLIE DI PROTEZIONE PROTECTIVE METAL MESH	Cdh	SCARICO CONDENSA VERS.HP CONDENSATE DRAIN HP VERSION
			OPTIONAL Ø22

MODELLO MODEL	PESO WEIGHT (Kg)	PESO IN FUNZIONE OPERATING WEIGHT (Kg)
EPSILON ECHOS LE 31	312	312
EPSILON ECHOS LE 37	318	318
EPSILON ECHOS LE 41	323	323
EPSILON ECHOS LE/HP 31	341	341
EPSILON ECHOS LE/HP 37	344	344
EPSILON ECHOS LE/HP 41	360	360



## INSTALLATIONS RECOMMENDATIONS

### LOCATION

Strictly allow clearances as indicated in the catalogue.

Please check that there isn't any obstructions on the suction of the finned coil and on the discharge of the fans

Locate the unit in order to be compatible with environmental requirements (sound level, integration into the site, etc.).

### ELECTRICAL CONNECTIONS

Check the wiring diagram enclosed with the unit, in which are always present all the instructions necessary to the electrical connections.

Supply the unit at least 12 hours before start-up, in order to turn crankcase heaters on. Do not disconnect electrical supply during temporary stop periods (i.e. weekends).

Before opening the main switch, stop the unit by acting on the suitable running switches or, if lacking, on the remote control.

Before servicing the inner components, disconnect electrical supply by opening the main switch.

The electric supply line must be equipped with an automatic circuit breaker (to be provided by the installer).

### HYDRAULIC CONNECTIONS

Carefully vent the system, with pump turned off, by acting on the vent valves. This procedure is fundamental: little air bubbles can freeze the evaporator causing the general failure of the system.

Drain the system during seasonal stops (wintertime) or use proper mixtures with low freezing point. In case of temporary stop periods an electric heater should be installed on the evaporator and hydraulic circuit.

Install the hydraulic circuit including all the components indicated in the recommended hydraulic circuit diagrams (expansion vessel, flow switch, strainer, storage tank, vent valves, shut off valves, flexible connections, etc.).

Connect the flow switch, which is furnished on all units, not fitted. Follow the instructions enclosed with the units.

### START UP AND MAINTENANCE OPERATIONS

Strictly follow what reported in use and maintenance manual. All these operations must be carried on by trained personnel only.

